

# LETHE

---

## **D EINBAUANLEITUNG**

Montagerahmen A Klasse Brandschutztür Typ:

## **GB MOUNTING GUIDELINES**

for installation frame of A class fire door type:

## **F NOTICE DE MONTAGE**

Cadre de montage d'un type de porte coupe-feu de la classe A:

## **I ISTRUZIONI PER IL MONTAGGIO**

Telaio di montaggio classe A porta antincendio tipo:

## **E INSTRUCCIONES DE MONTAJE**

Bastidor de montaje clase A puerta cortafuegos tipo:

## **PL INSTRUKCJA MONTAŻU**

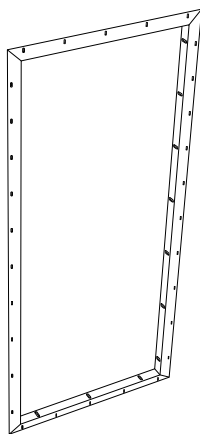
Ramy montażowej klasy A do drzwi przeciwpożarowych typu:

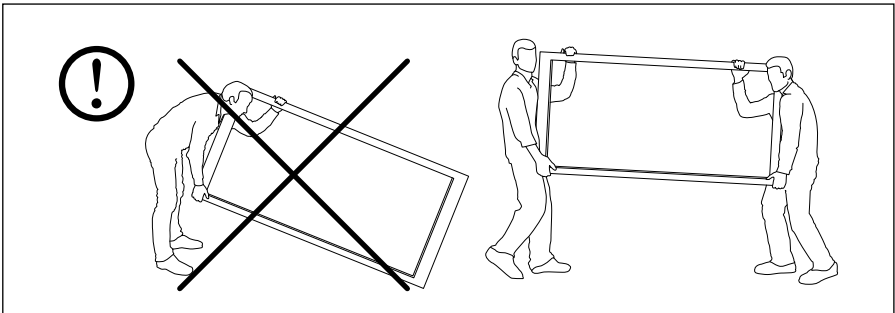
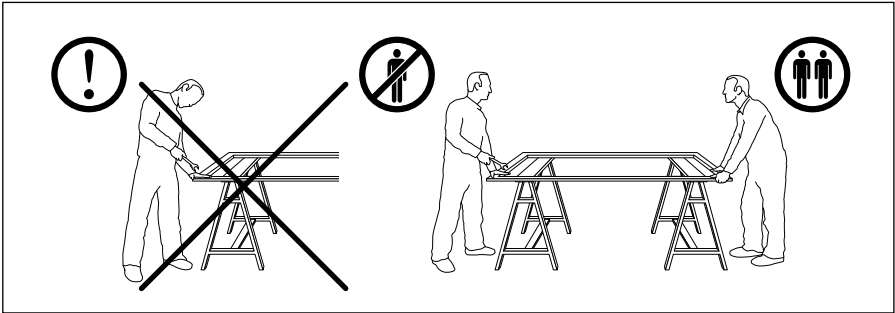
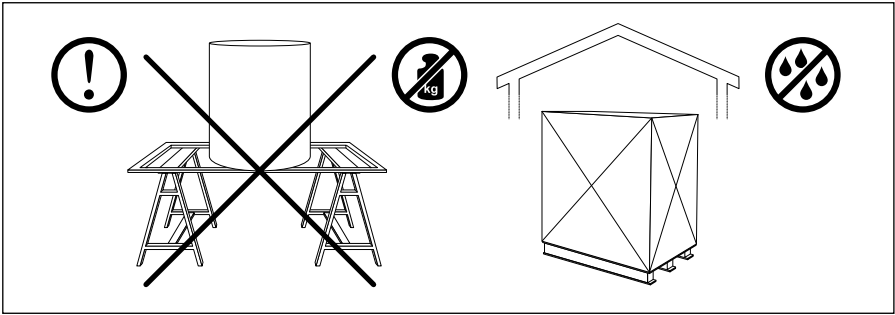
LL-D1-A60

LL-D2-A60

LL-D3-A60

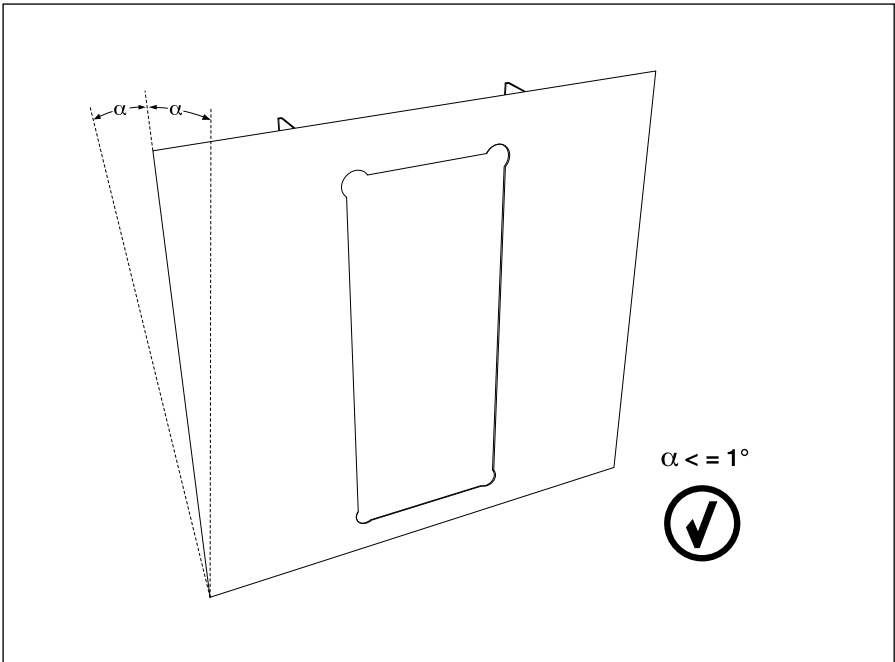
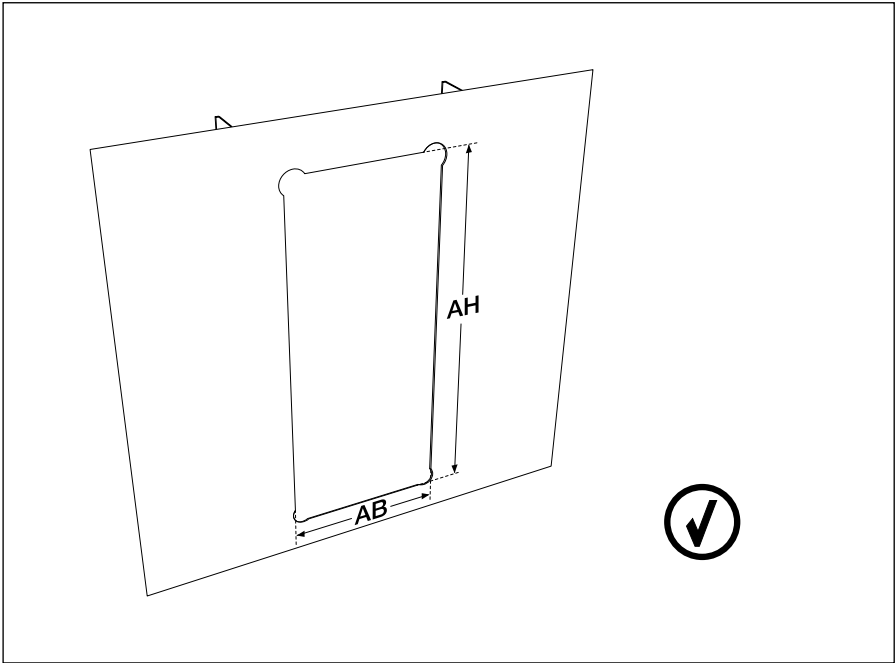
LL-D1L-A60

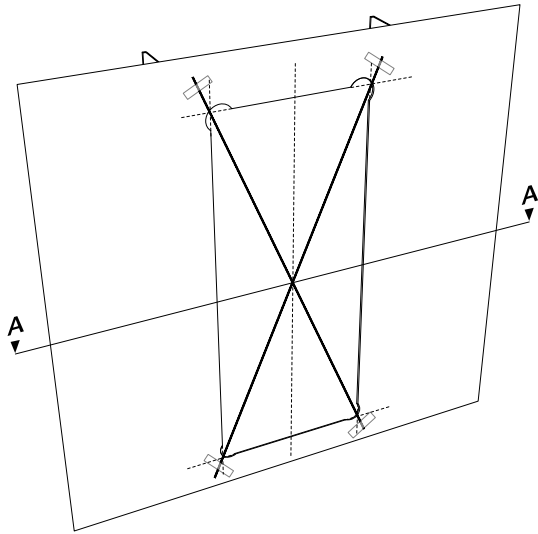




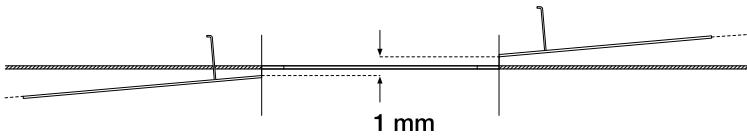
This panel contains contact information for LETHE GmbH. On the left, there is a question mark icon, a person holding a tablet, and a large rectangular frame. On the right, the contact details are listed:

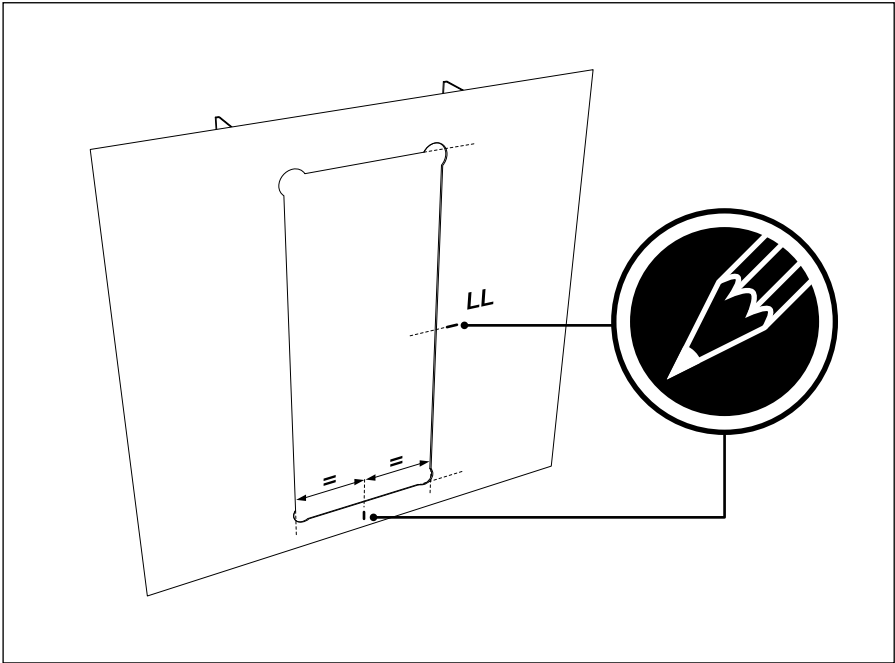
- @ help@lethe-hamburg.de
- ☎ +49/40/74 21 63-0
- LETHE GmbH**
- Seehafenstrasse 17
- 21079 Hamburg, Germany
- www.lethe-hamburg.de



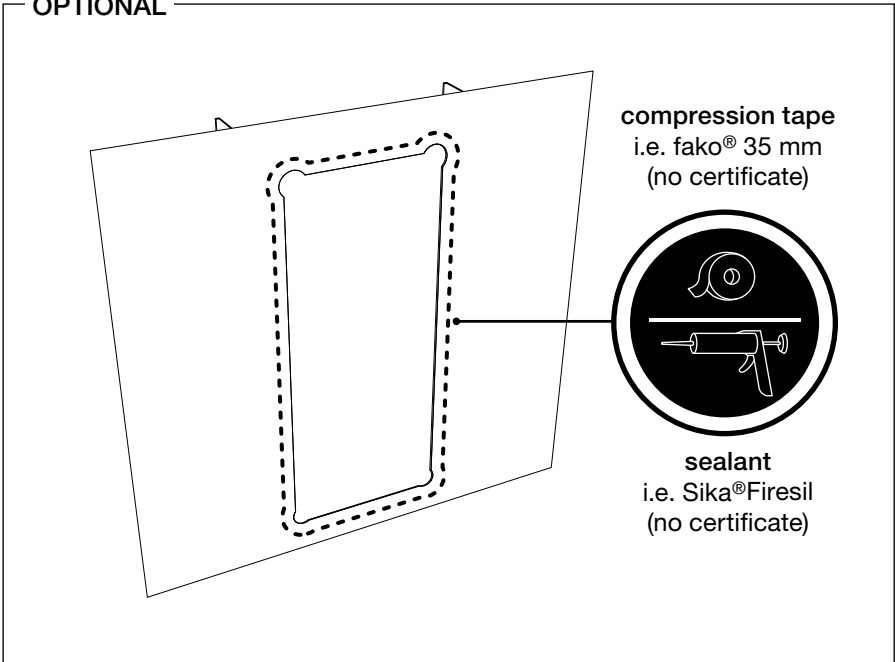


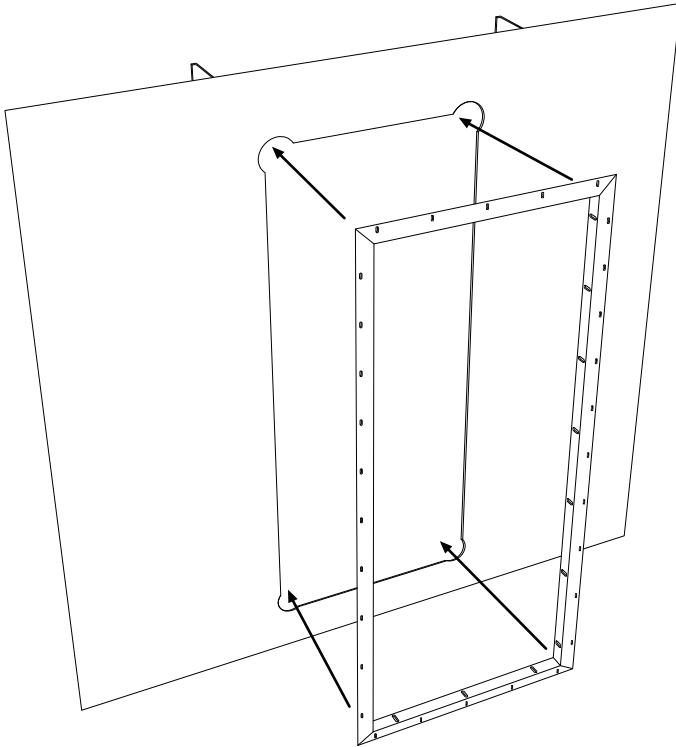
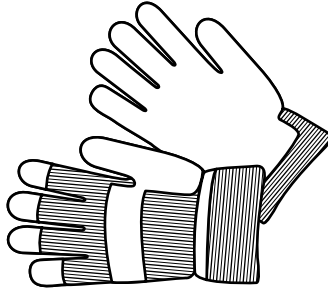
A - A

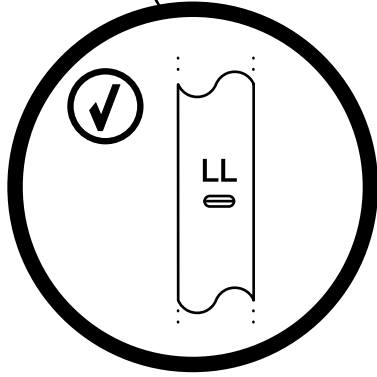
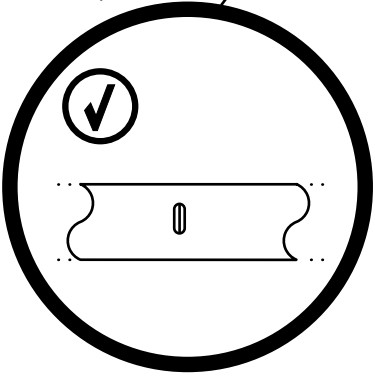
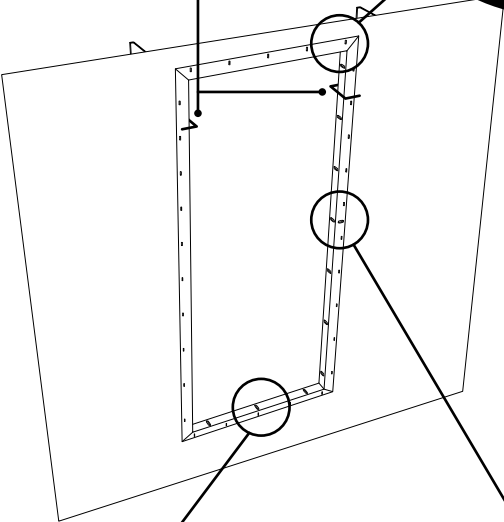
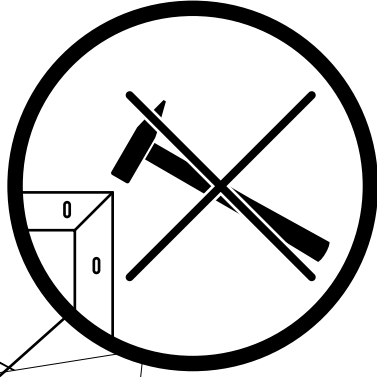
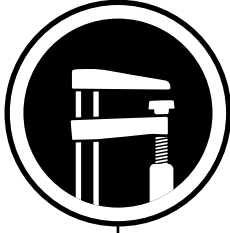


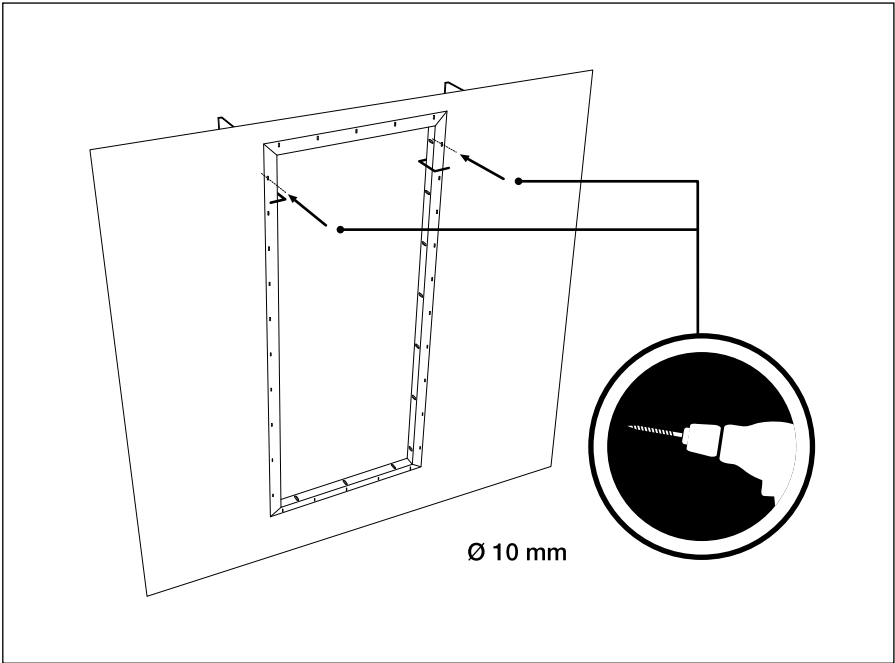
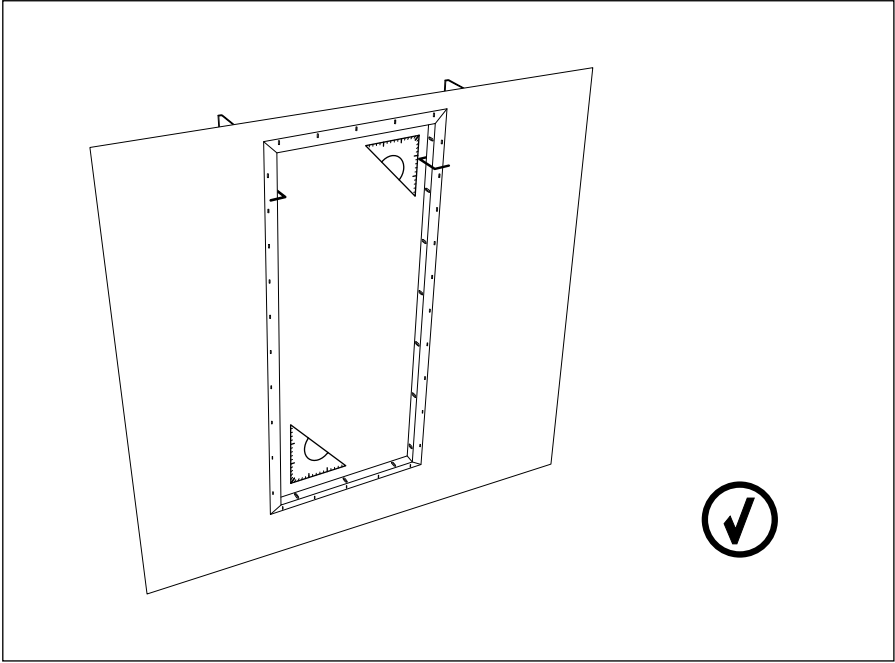


**OPTIONAL**

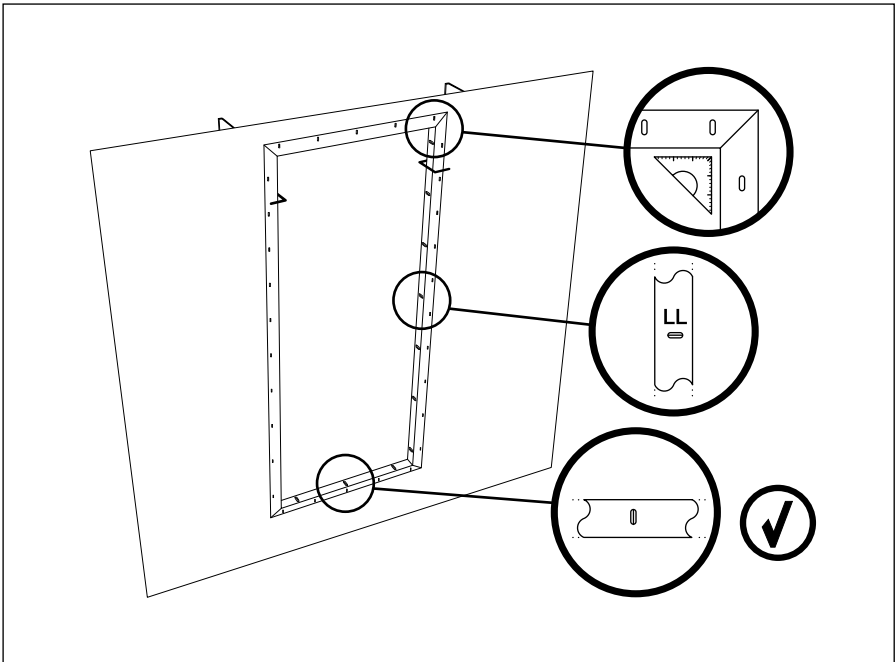
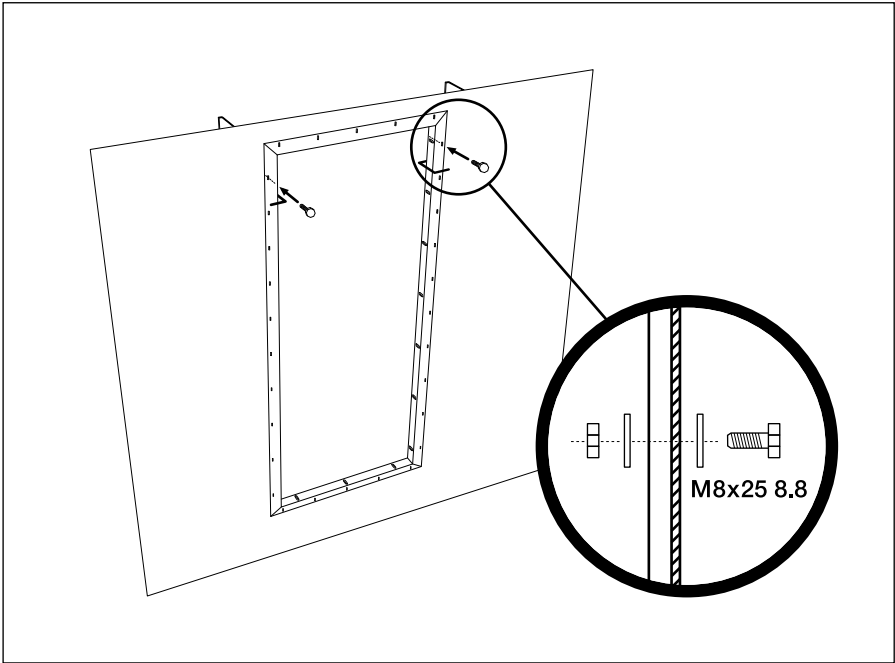


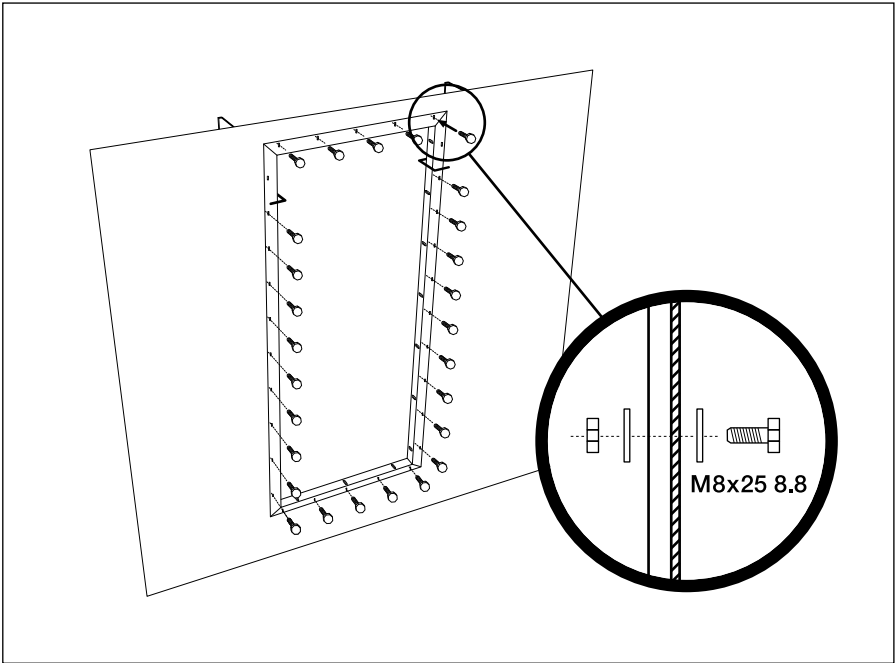
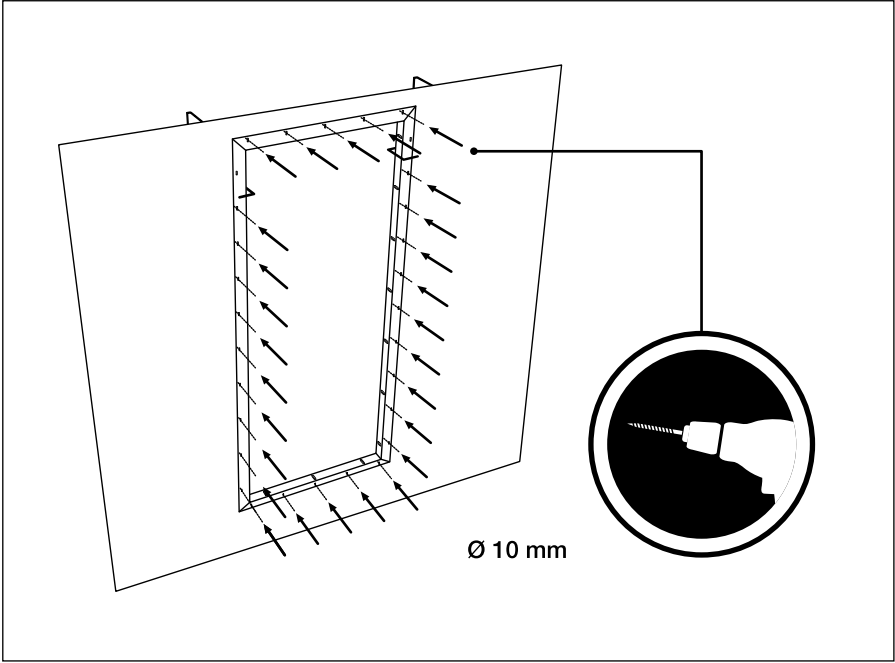


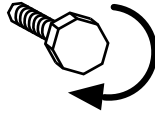




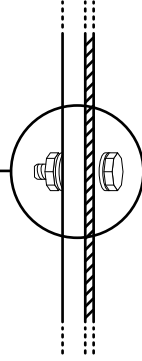
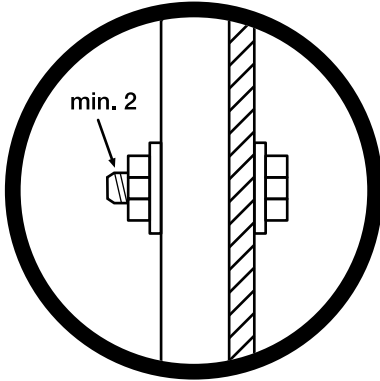








< 50 Nm



**LETHE GmbH**

Seehafenstrasse 17 // 21079 Hamburg, Germany  
phone +49 40 74 21 63-0 // fax +49 40 74 21 63-220  
info@lethe-hamburg.de // [www.lethe-hamburg.de](http://www.lethe-hamburg.de)