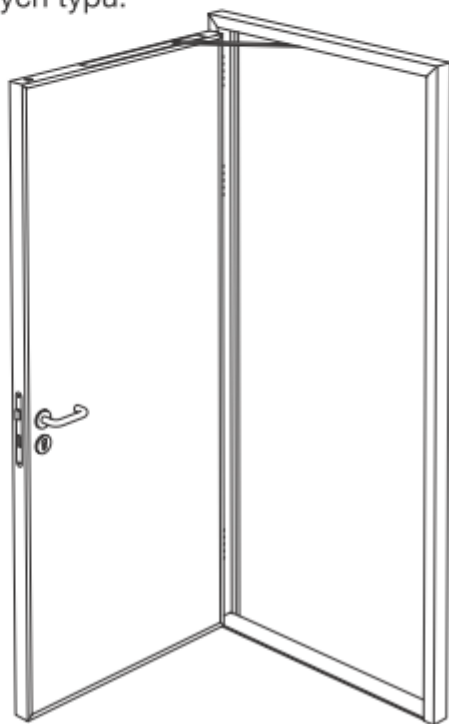
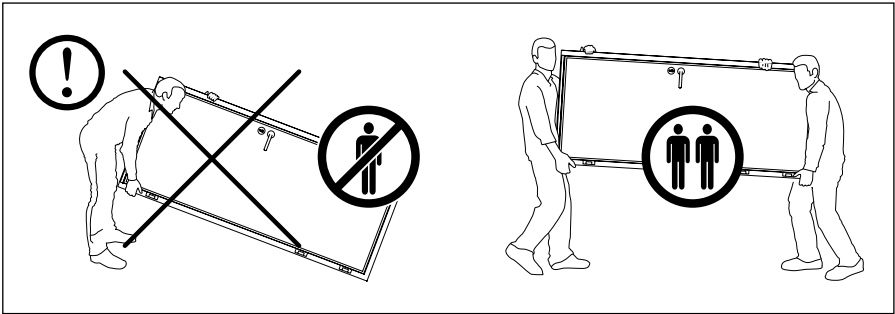
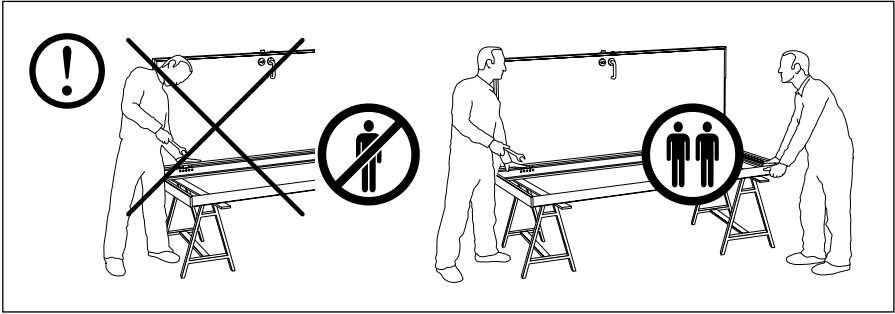
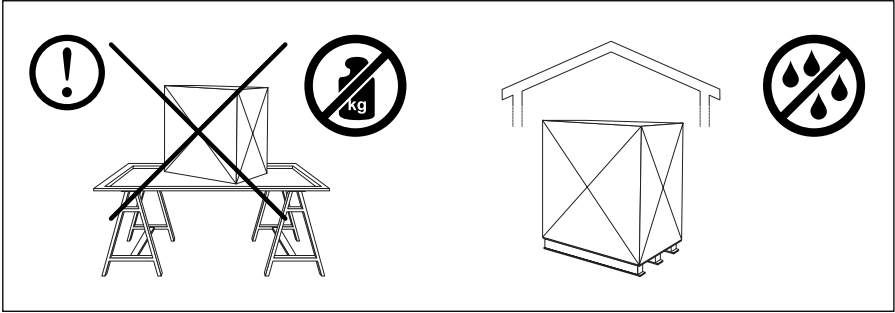


# LETHE

- D** EINBAUANLEITUNG B Klasse Brandschutztür Typ:  
**GB** MOUNTING GUIDELINES for B class fire door type:  
**F** NOTICE DE MONTAGE porte coupe-feu de la classe B:  
**I** ISTRUZIONI PER IL MONTAGGIO classe B porta antincendio tipo:  
**E** INSTRUCCIONES DE MONTAJE clase B puerta cortafuegos tipo:  
**PL** INSTRUKCJA MONTAŻU  
klasy B do drzwi przeciwpożarowych typu:



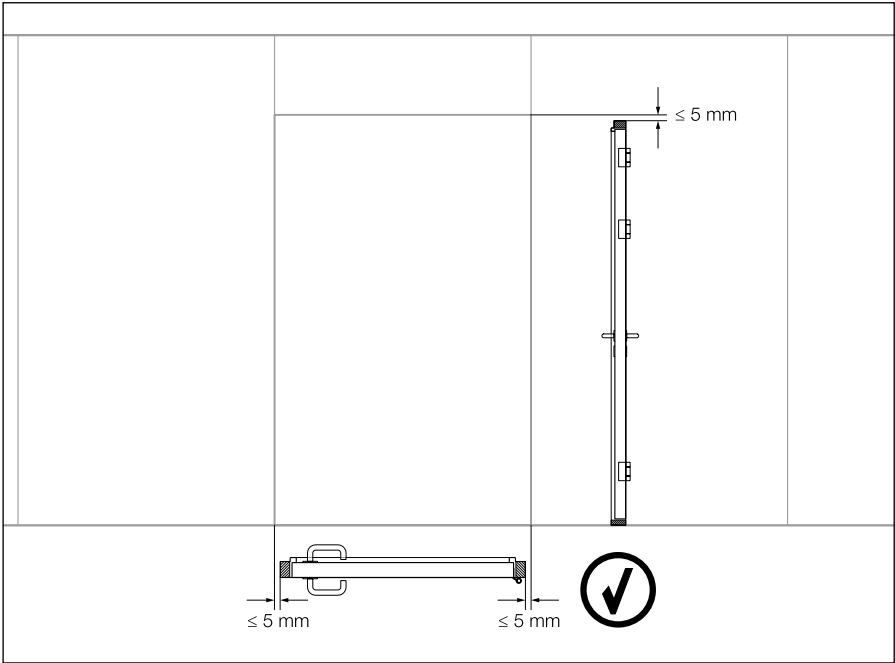
LM50-D4-B15

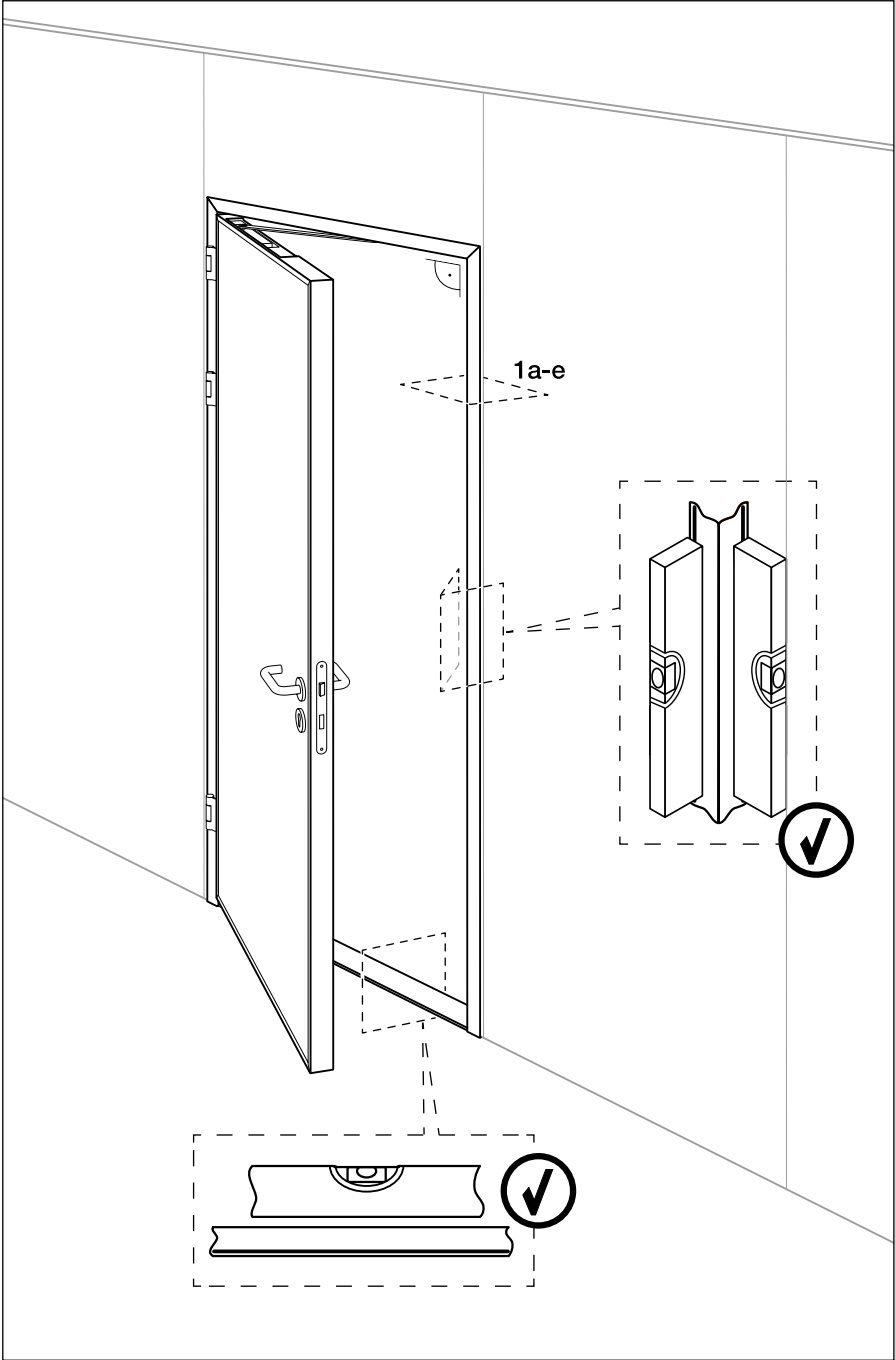


This panel contains a help icon (a question mark in a circle) next to a person holding a tablet. To the right is an illustration of an open door.

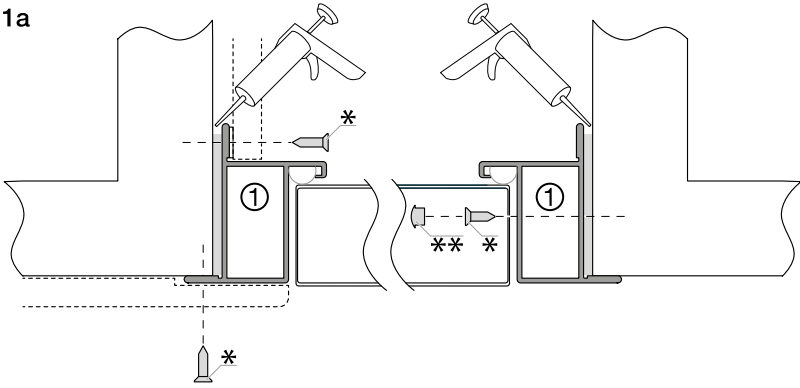
**@** [help@lethe-hamburg.de](mailto:help@lethe-hamburg.de)  
**📞** +49/40/74 21 63-0

**LETHE GmbH**  
Seehafenstrasse 17  
21079 Hamburg, Germany  
[www.lethe-hamburg.de](http://www.lethe-hamburg.de)

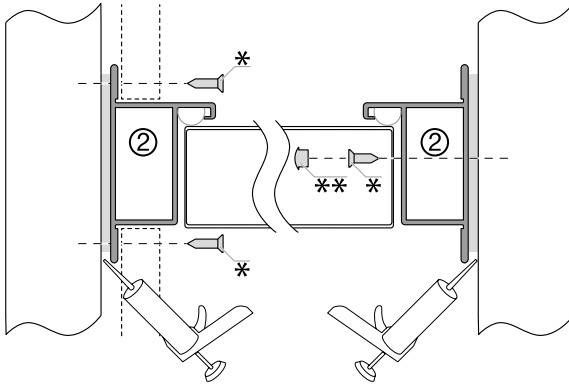




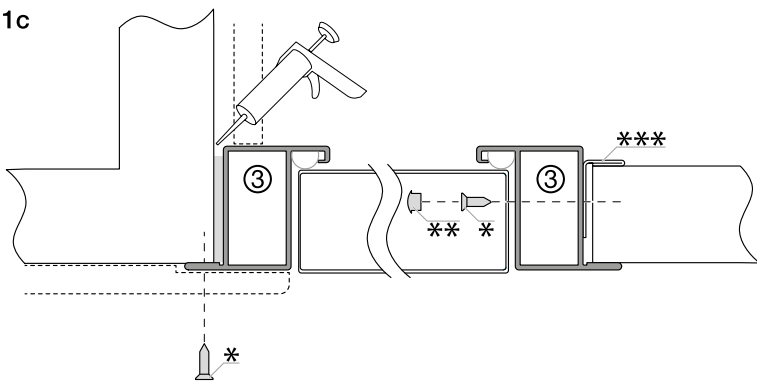
1a



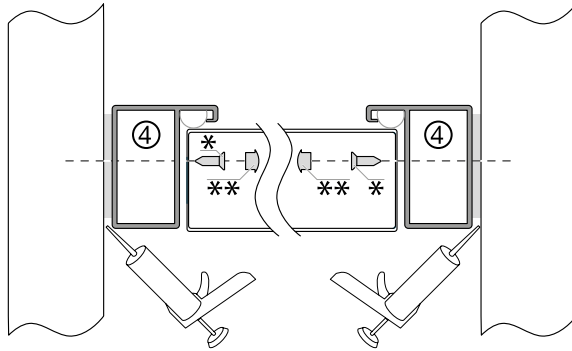
1b



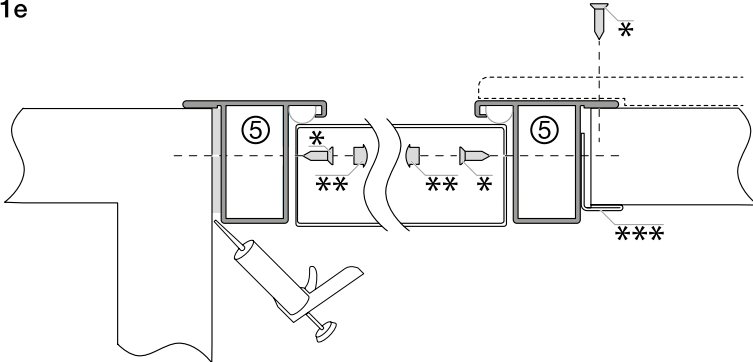
1c



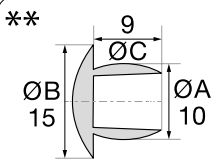
1d



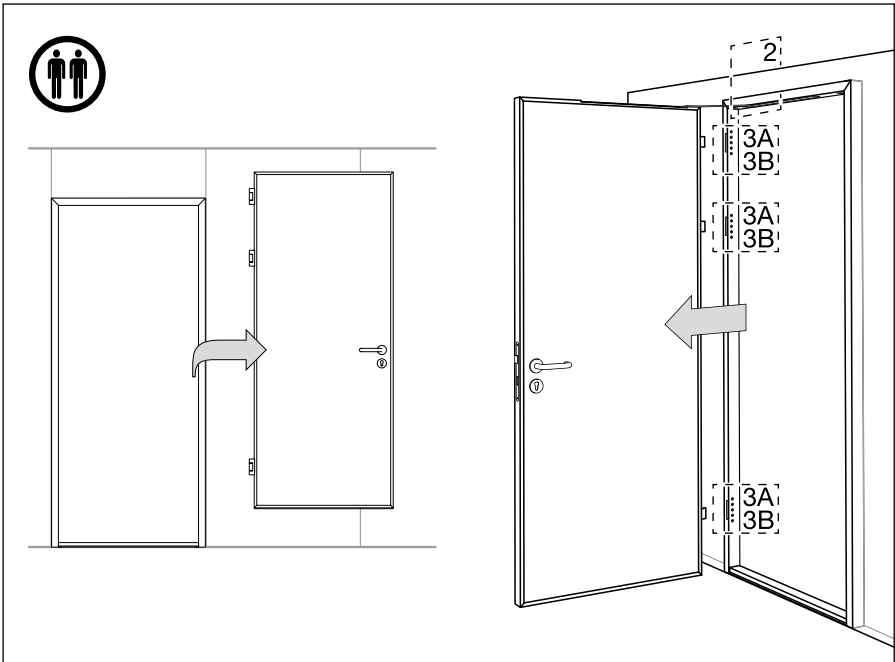
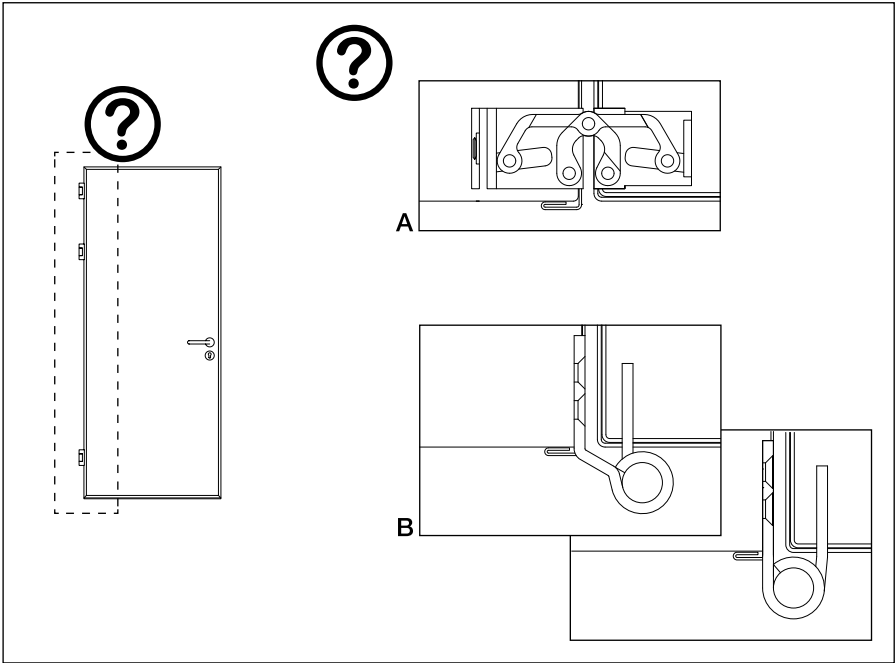
1e

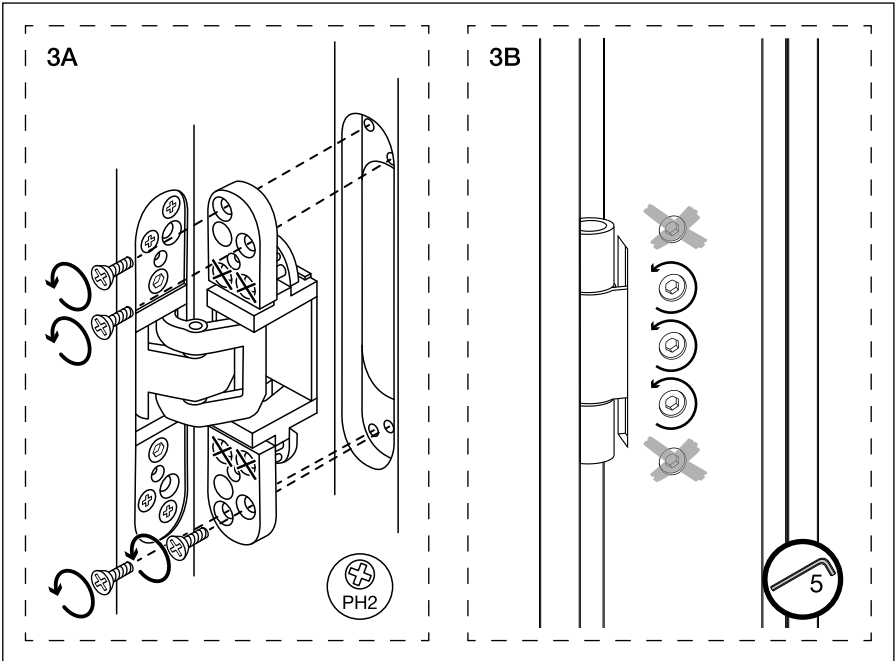
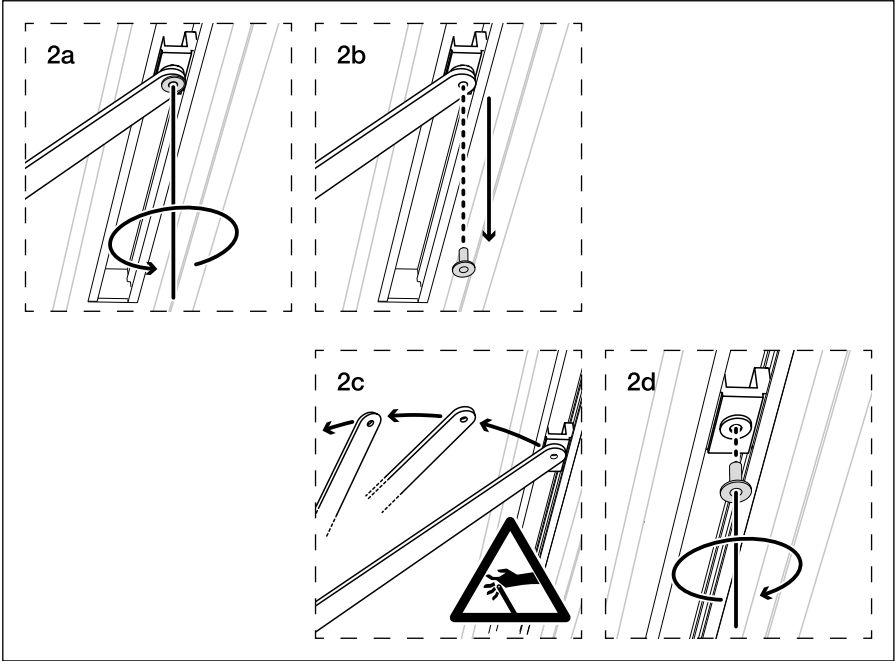


\*  
4.2 x min L:20  
4.8 x min L:20  
ISO 15482

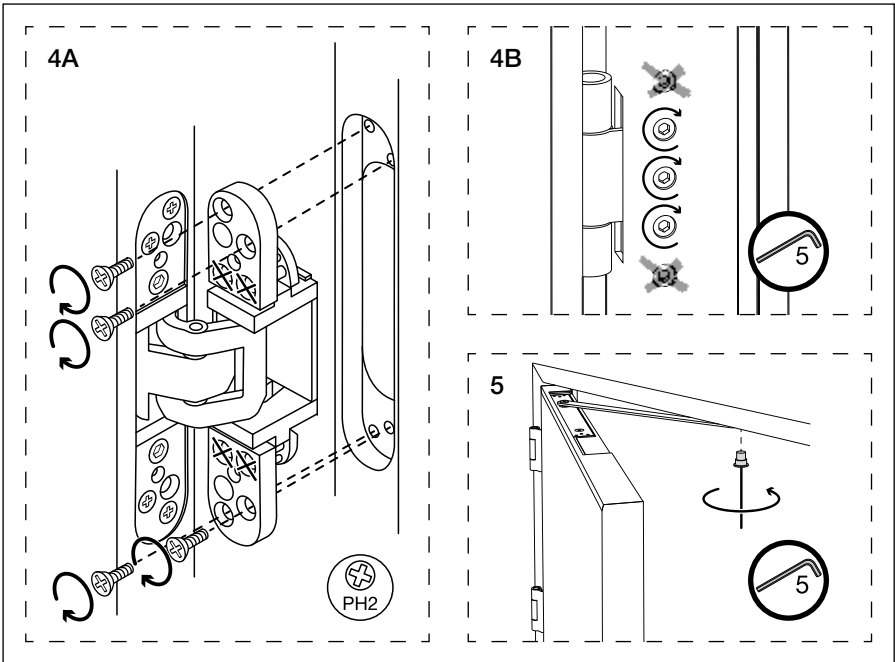
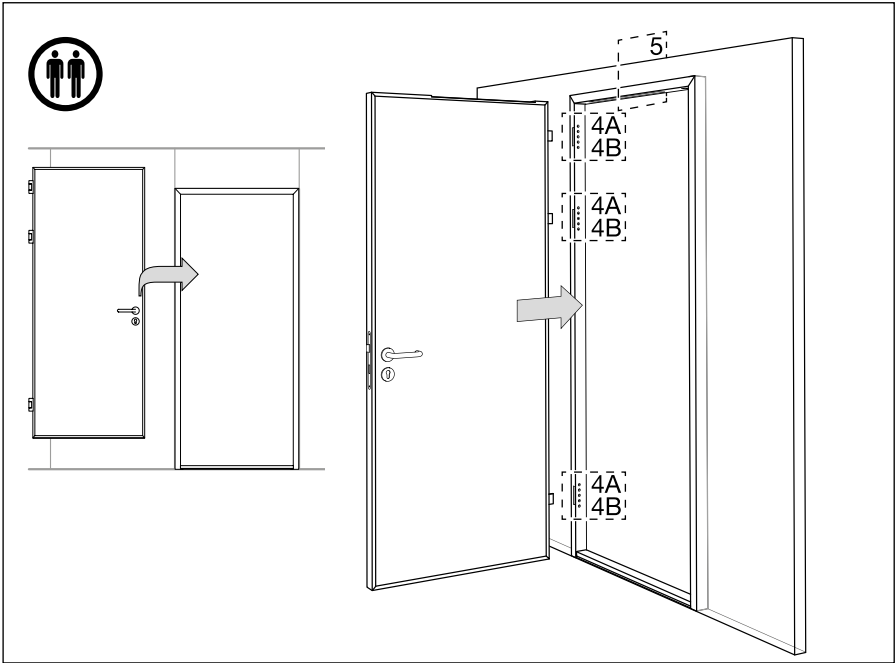


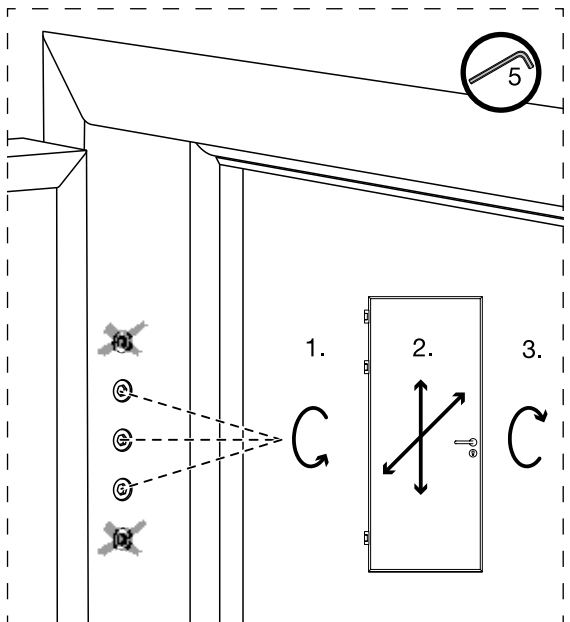
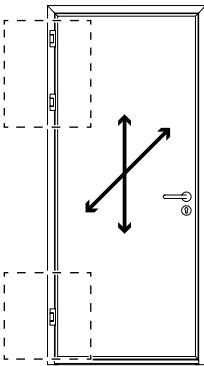
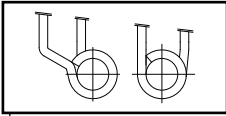
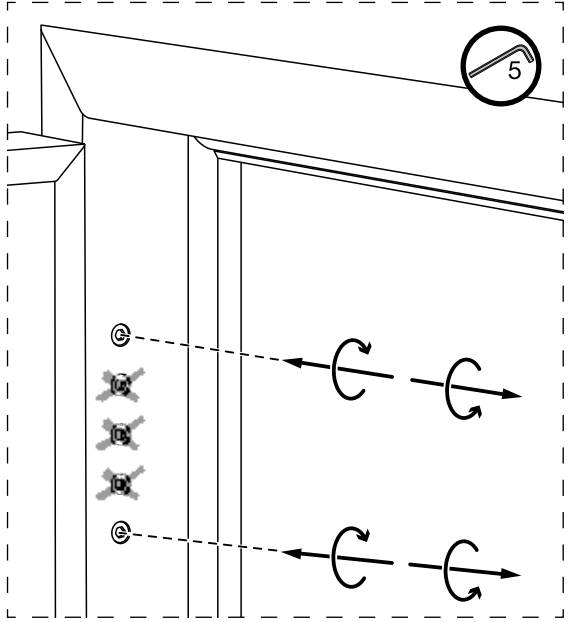
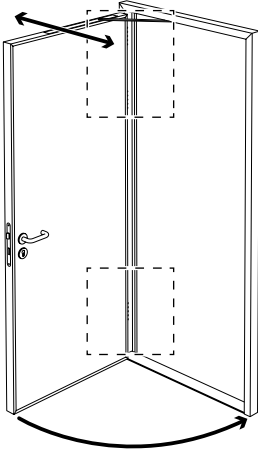
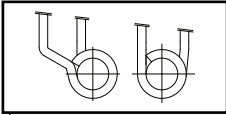
\*\*\* counter frame

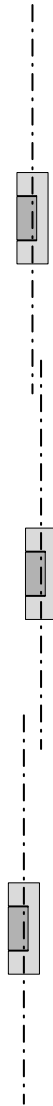
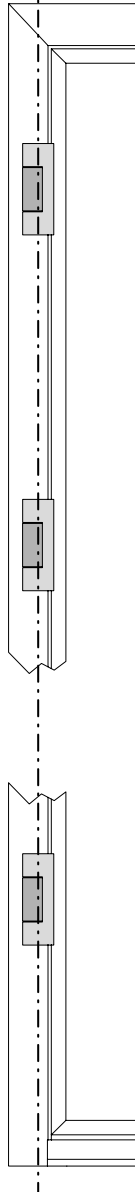
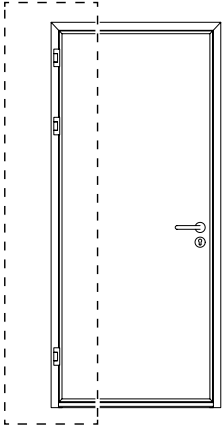
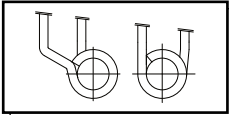


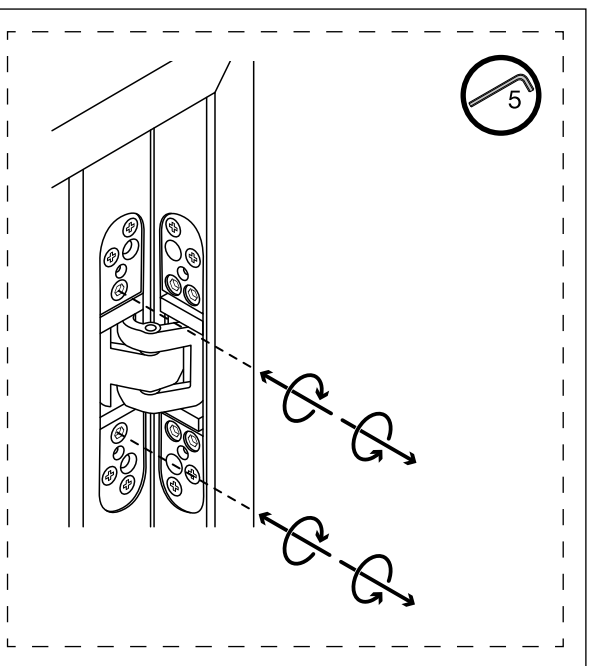
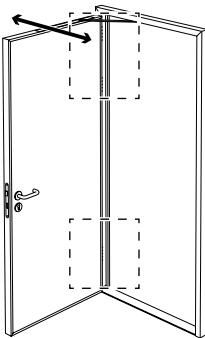
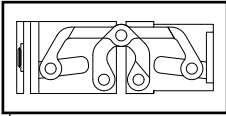
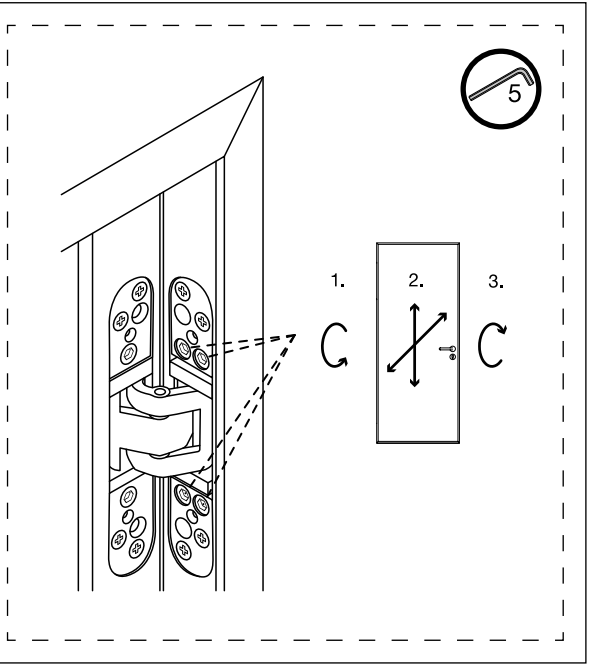
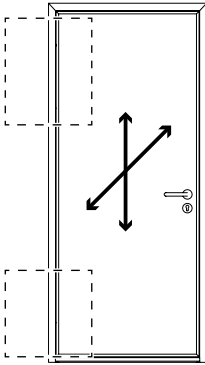
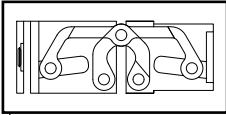


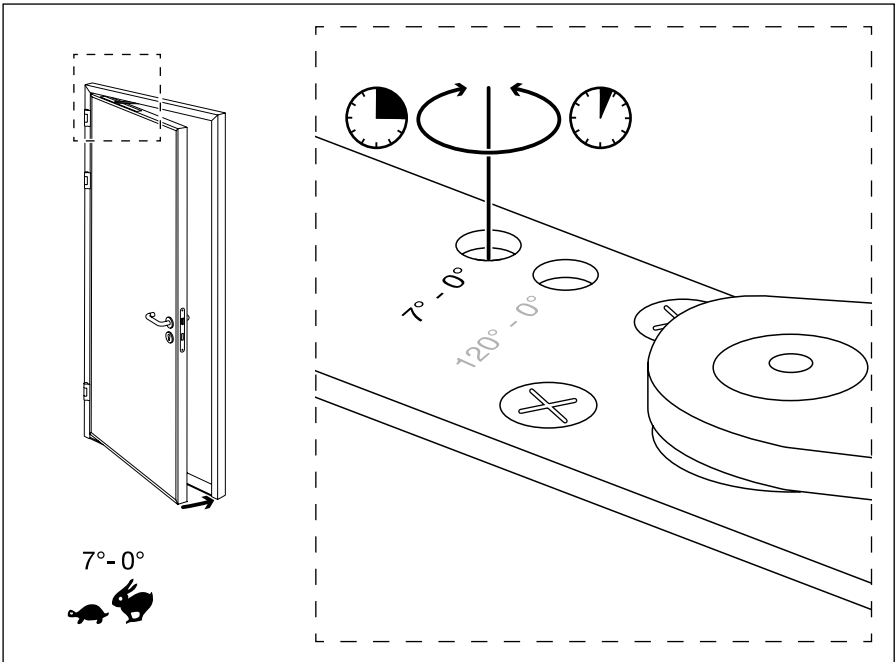
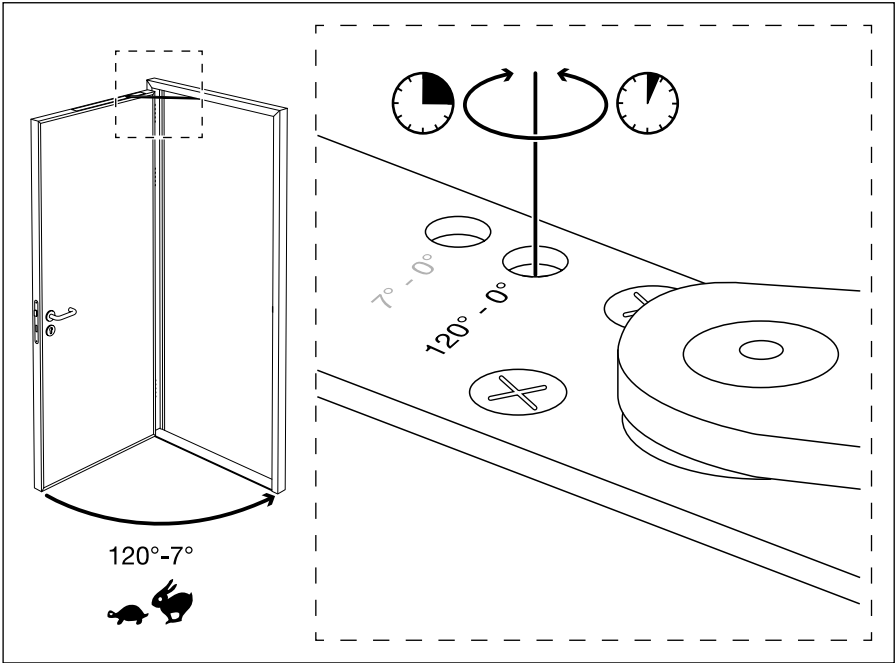


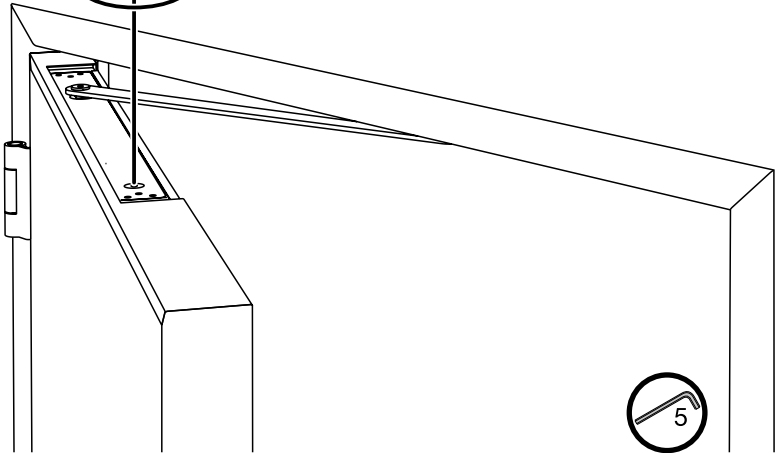
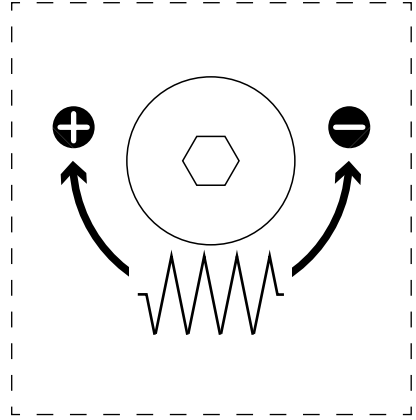
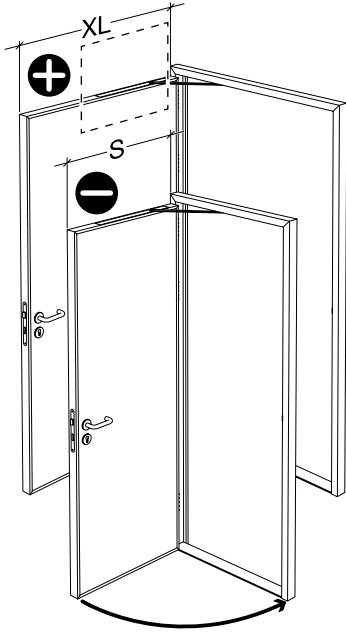












Notizen // Notes // Nota // Notatka:

**LETHE GmbH**

Seehafenstrasse 17 // 21079 Hamburg, Germany

phone +49 40 74 21 63-0 // fax +49 40 74 21 63-220

info@lethe-hamburg.de // [www.lethe-hamburg.de](http://www.lethe-hamburg.de)