

B CLASS SINGLE-LEAF INTERIOR DOOR OF TYPE **LM50-D2-B15**

> Single-hinged, non-watertight interior B class door

- Single dimensions according to requirements
- Gap of 4 mm between leaf and frame on three sides and of 6 mm at bottom
- Three 3D adjustable hinges of type Simonswerke VN7748/100.
Available in straight or cranked form, hinge length of 100 mm
- All accessories made of brushed stainless steel

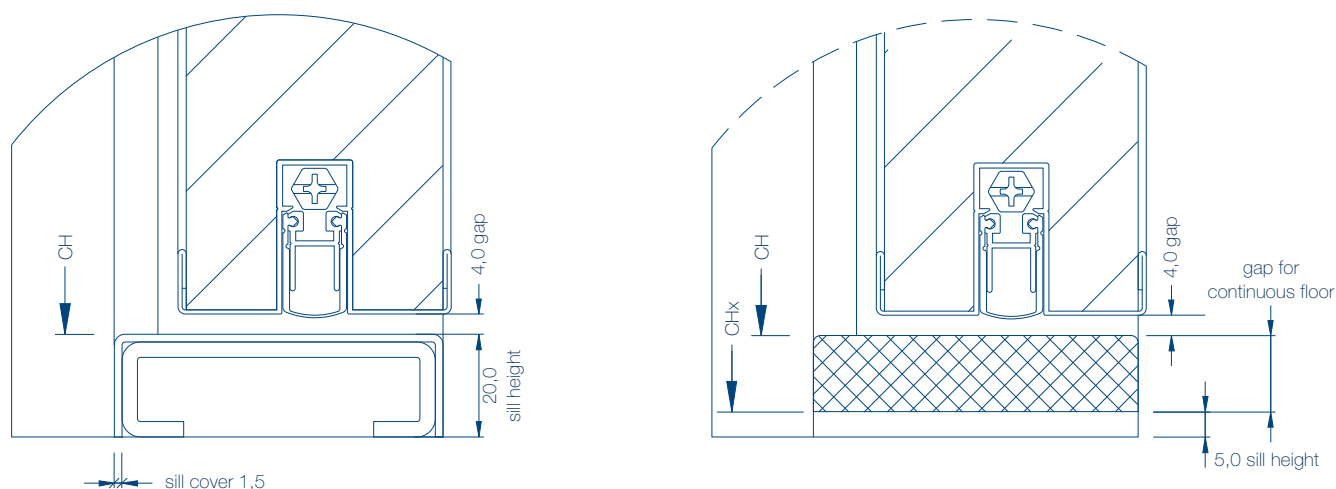
> Door frame

- Lethe B frame, choice of different types
- Concealed sliding rail of type Dorma G96EMF without EMF unit
- Surface painted in RAL or NCS colour shade
- Flush-type striking plate with bent lug
- Standard 20 mm raised sill or flat sill of 5 mm steel bar (cover profile for standard sill only)
- Door gasket, colour corresponding to frame

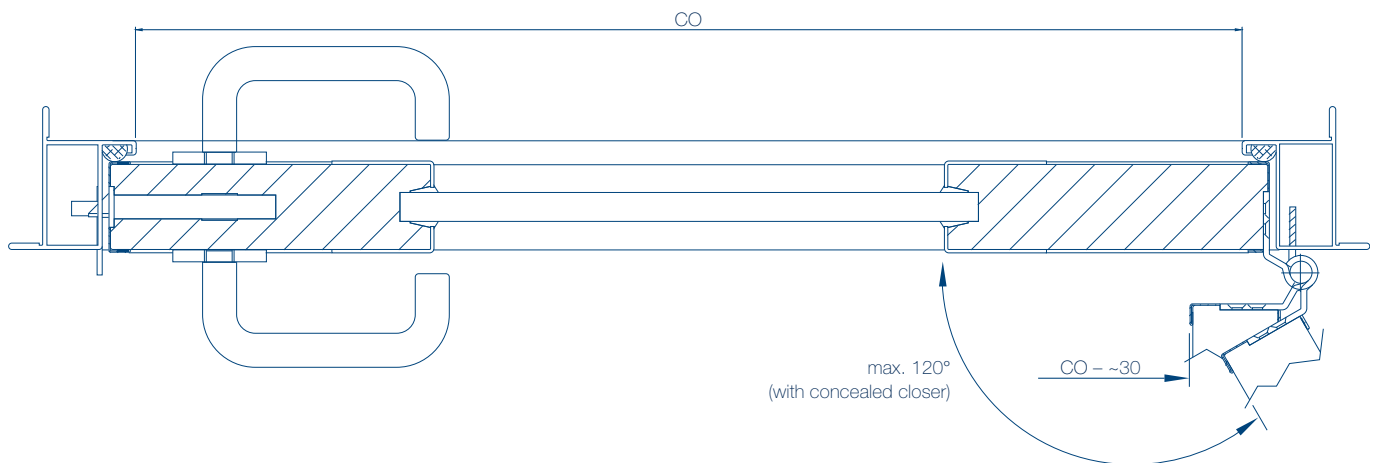
> Door leaf

- Leaf pre-installed in door frame made of 0.75 mm galvanized sheet metal
- Both leaf sides with decorative covering of HPL, foil or painted finish
- Thickness of 50 mm
- Stainless steel lock of type Lethe-72/65-PZ, backset 65 mm
- Concealed door closer of type Dorma ITS96 3-6
- Door leaf surrounded by U-profile frame (brushed stainless steel or painted),
frame angle straight with a length of 15–30 mm or bent with a length of 13 mm
- Max. cladding weight not to exceed 15 kg/m² or 30 kg/leaf

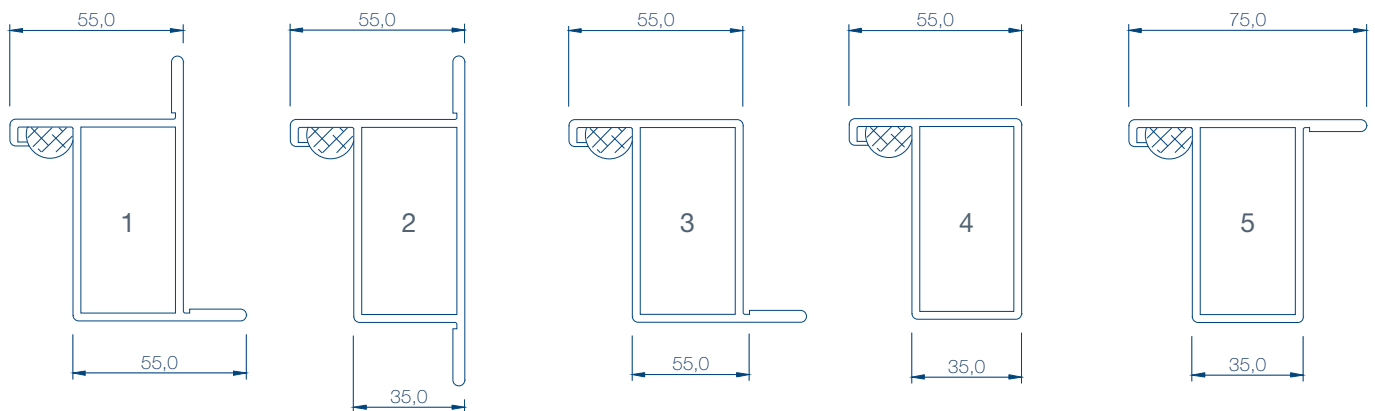
SILL TYPES



STANDARD DOOR SECTION



FRAME TYPES



TECHNICAL DATA

Weight	Fire classification	Certificate no.	Max. dimension (CO x CH)
~90,0 kg (CO x CH 900 x 2000)	B0 – B15	SeeBG no. 111.066	900 x 2050 mm
Frame coatings	Leaf coatings	Options	
RAL/NCS	RAL/NCS HPL Foil	<ul style="list-style-type: none"> - External door closer - Accessories polished - Automatic door gasket of type "Athmer" - Extended hinges - Window (round/rectangular) CO max. 500 mm - Counter frame - Overflow (as door of type LM50-D3-B15 only) 	