

## A CLASS SINGLE-LEAF INTERIOR DOOR OF TYPE **LL-D3-A60**

### > Single-hinged, non-watertight interior A class door

- Clear opening given for dimension in door frame, reduction by opened door not taken into account
- Gap of 4 mm between leaf and frame on three sides, 4 mm at bottom
- Three Simonswerke VN7748/100 3D adjustable hinges per leaf
- Visible items made of stainless steel. Available in cranked form, hinge length of 100 mm
- All accessories made of brushed stainless steel

### > Installation frame

- For installation in structure of ship by welded joint or screw connection
- Surface finished with primer of type Integrad 269 red

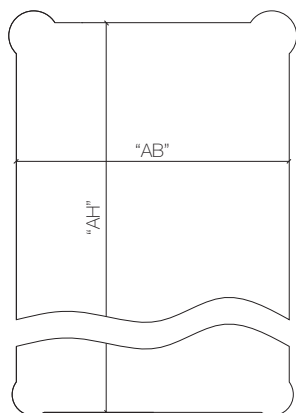
### > Door frame

- For installation in above-mentioned installation frame
- Internal sliding rail of type Dorma G96EMF without EMF unit and cable
- Choice of three different sill types with variable heights
- Surface painted in RAL or NCS colour shade
- Flush-type striking plate made of stainless steel with bent lug
- Sill cover (for sill of type A + C only) made of stainless steel
- Door gasket, colour corresponding to frame

### > Door leaf

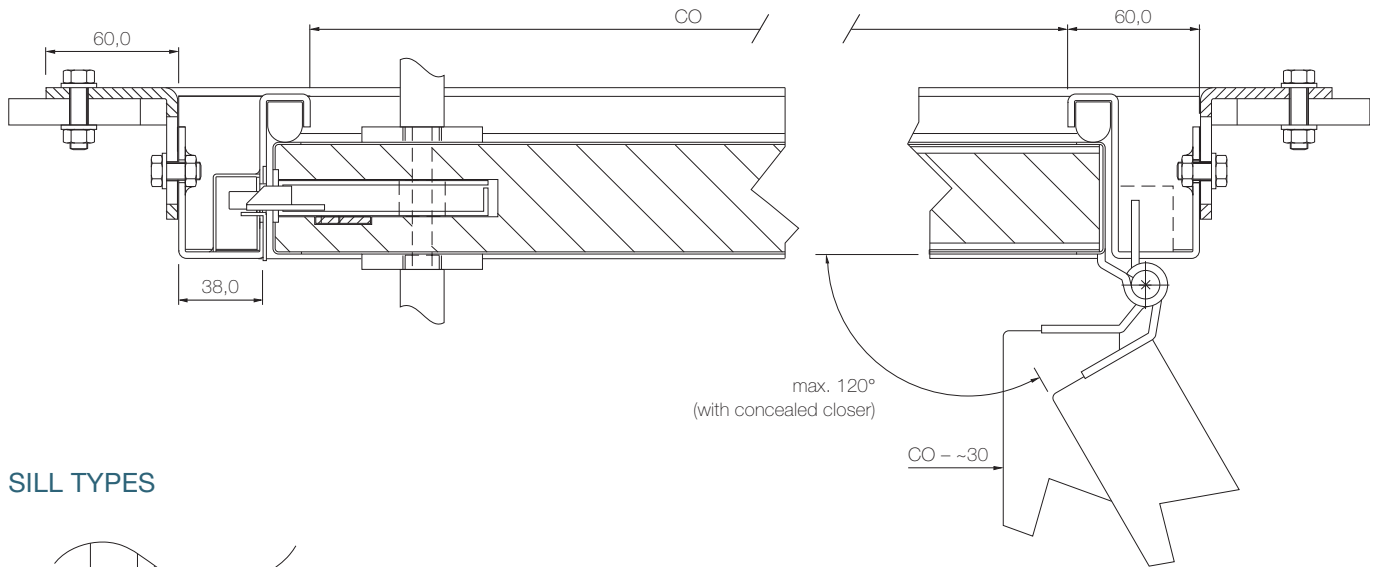
- Leaf pre-installed in door frame
- Both sides covered by laminate of white or equivalent colour for leaf protection
- Thickness of 52 mm
- Lock of type Lethe-72/65-PZ, backset 65 mm, made entirely of stainless steel
- Holes for profile cylinder and handle
- Concealed door closer of type Dorma ITS96 3-6
- Door leaf surrounded by painted/brushed stainless steel U-profile, frame angle straight with a length of 15–30 mm or bent with a length of 13 mm
- Weights attached to the described products shall not exceed a maximum weight of 30 kg/leaf.  
For doors according SOLAS regulations the max. weight is limited depending on the CO dimension to 5 kg (CO: 1020 mm) – 20 kg (CO: 800 kg)

### BULKHEAD CUT-OUT AB X AH

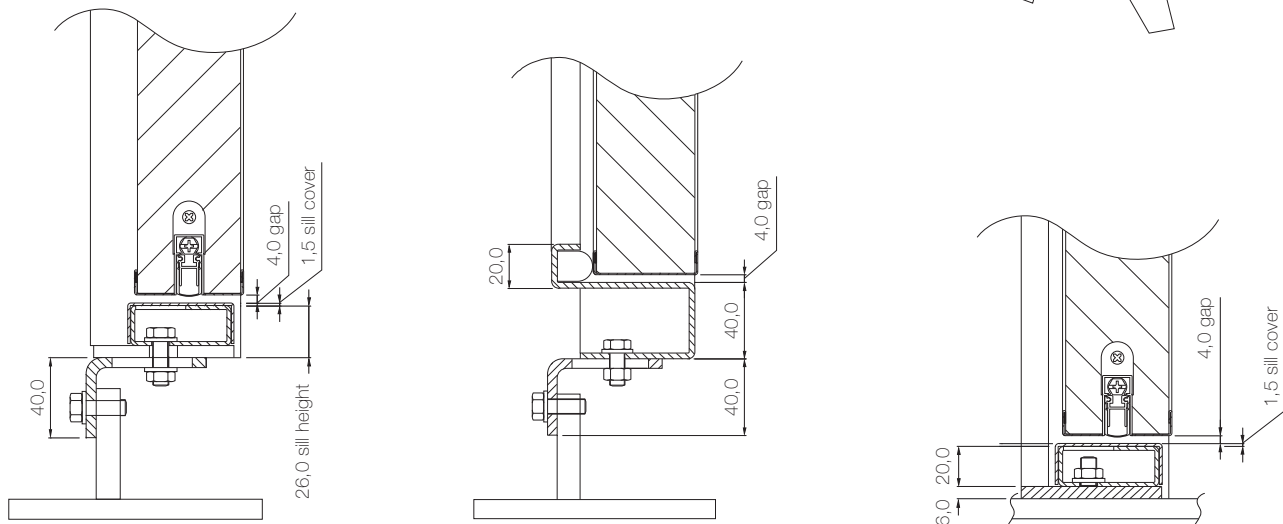


Sill type	Width "AB"	Height "AH"
A	CO + 157	CH + 131
B		CH + 148
C		CH + 165

## STANDARD DOOR SECTION



## SILL TYPES



## TECHNICAL DATA

Weight	Fire classification	Certificate no.	Max. dimension (CO x CH)
~120,0 kg (CO x CH 900 x 2000)	A0 – A60	SeeBG no. 111.068	1020 x 2100 mm
Frame coatings	Leaf coatings	Options	
RAL/NCS	RAL/NCS HPL Foil	<ul style="list-style-type: none"> <li>- External door closer</li> <li>- Accessories brushed/polished</li> <li>- Automatic door gasket of type "Athmer"</li> <li>- Extended hinges</li> <li>- Window (round/rectangular) CO max. 500 mm</li> <li>- Magnetic door proximity switch</li> <li>- Hose port</li> <li>- Cable loop</li> </ul>	

## LETHE GmbH

Seehafenstrasse 17 // 21079 Hamburg, Germany // phone +49/40/74 21 63-0 // fax +49/40/74 21 63-220 // info@lethe-hamburg.de // www.lethe-hamburg.de