

LWC

LWC with leather

88,7

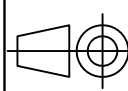

88,7

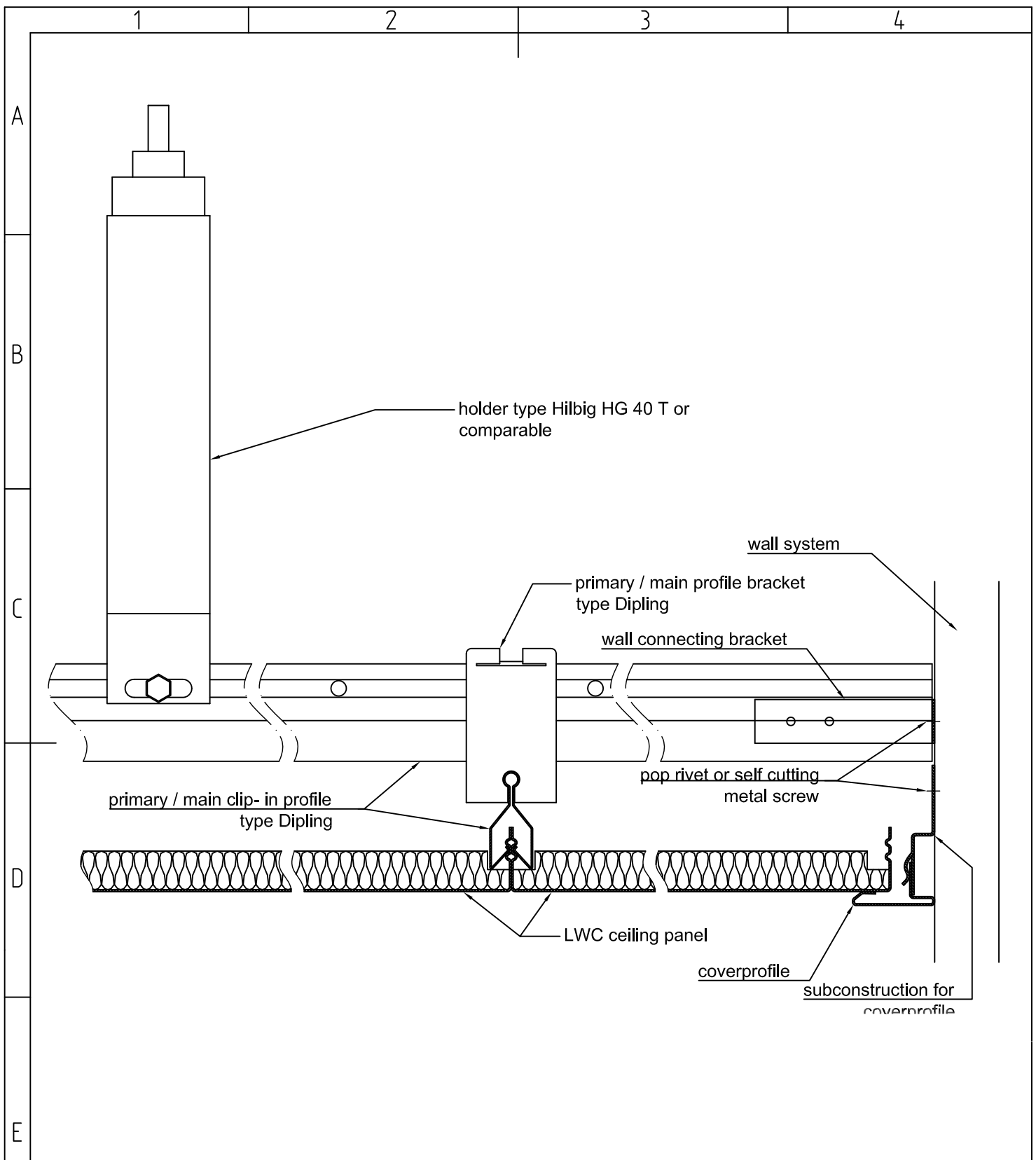
System
LWC

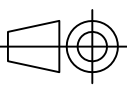
M 1:10

▼ : Decor side
SW: Standard modular width

	material		core / approval		length	width	thickness
	front		wool		[mm]	[mm]	[mm]
	St 0,75		B 15		up to 1200	up to 500	25 / 37
LWC with leather	St 0,75		without				

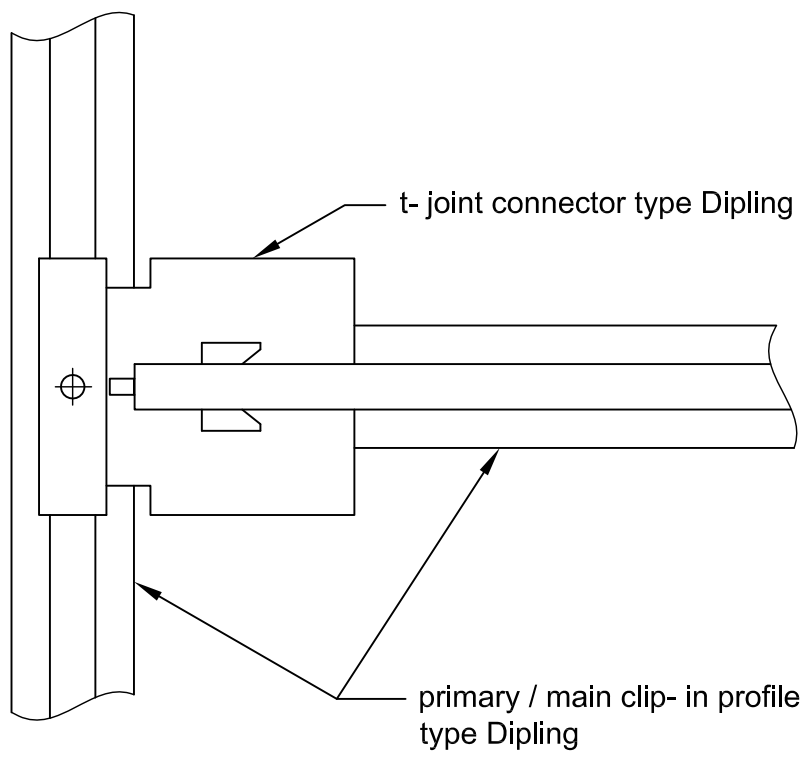
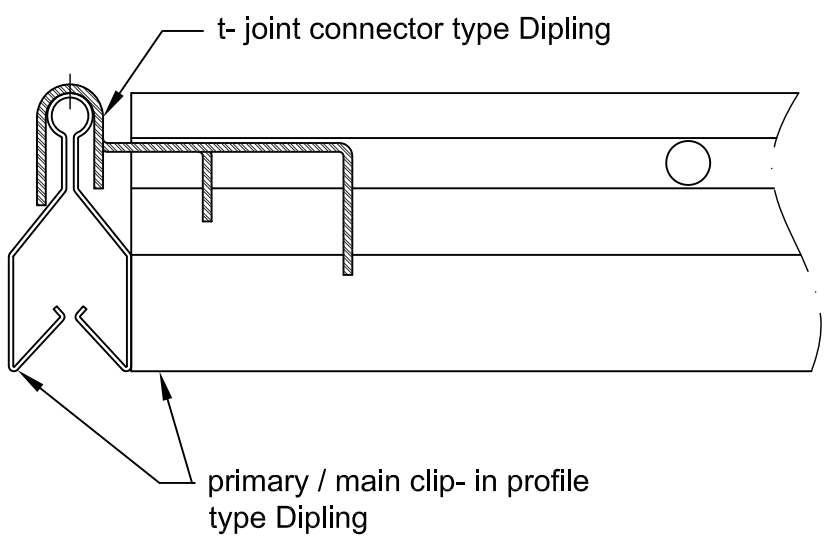
CAD-System:		Tolerance		Scale: 1:2		Weight		
						Name and No. of Typ		
				LWC_CEILING_PANEL		Title		
08			Date	Name	LWC_CEILING_PANEL			
07			Draw	28.05.2010				jhe
06			Check	XX.XX.XX				XXXXXX
05			Stand	XX.XX.XX				XXXXXX
04								
03						Drawing No.		
02					 interior outfitting insulation			
01								
Rev.No.	Revision	Date	Name	Repl. for		Repl. by		



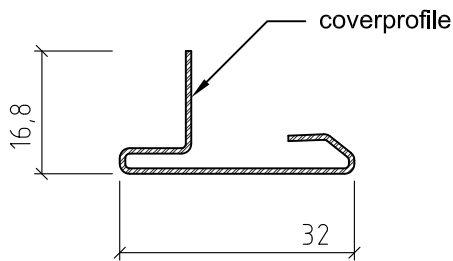
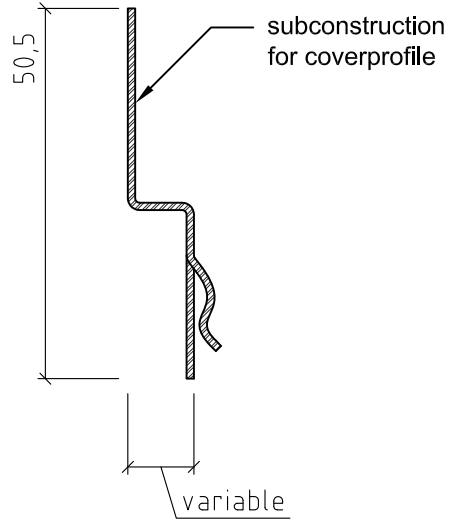
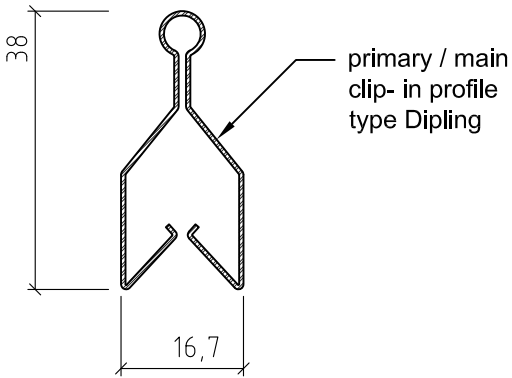
CAD-System:			Tolerance					Scale 1:2		Weight		
								Name and No. of Typ				
08				Date	Name	Title LM LWC ceiling details						
07			Draw	07.06.2010	jhe							
06			Checked	XX.XX.XX	XXXXXX							
05			Stand	XX.XX.XX	XXXXXX							
04						LETHE interior outfitting insulation						
03												
02												
01												
Rev.No.	Revision	Date	Name				Drawing No.		Repl. for		Repl. by	

1 2 3 4

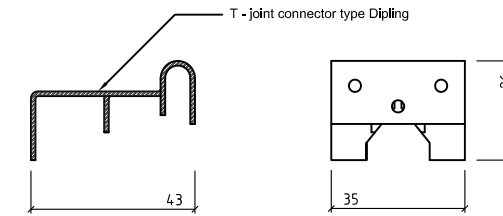
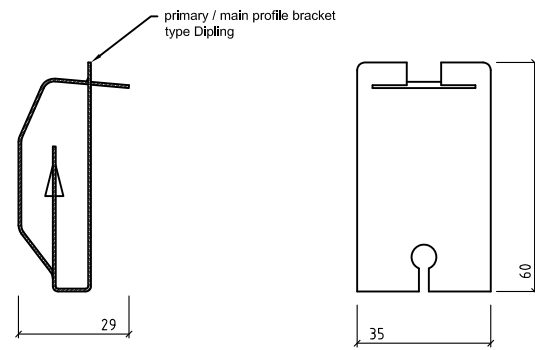
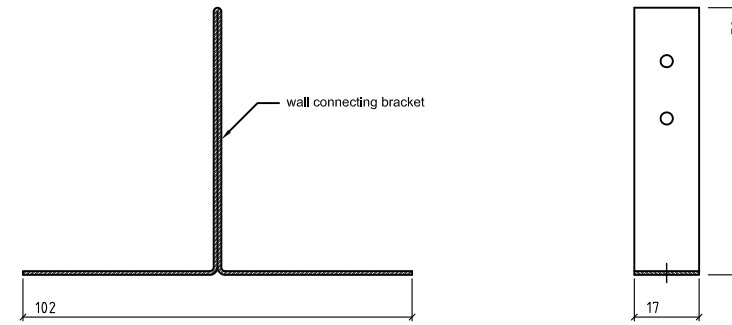
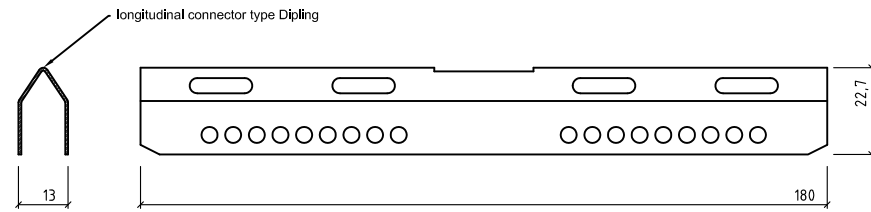
A
B
C
D
E

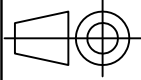



CAD-System:				Tolerance			Scale 1:1	Weight
							Name and No. of Typ	
08				Draw	Date	Name	Title LM ceiling details T connector	
07				07.06.2010	jhe			
06				Checked	XX.XX.XX	XXXXXX		
05				Stand	XX.XX.XX	XXXXXX		
04							Drawing No.	
03								
02								
01								
Rev.No.	Revision	Date	Name					



CAD-System:				Tolerance			Scale 1:5	Weight		
							Name and No. of Typ			
08				Draw	Date	Name	Title LWC ceiling accessories profile			
07				07.06.2010	jhe					
06				Checked	XX.XX.XX	XXXXXX				
05				Stand	XX.XX.XX	XXXXXX				
04										
03							Drawing No.			
02										
01										
Rev.No.	Revision	Date	Name				Repl. for	Repl. by		



CAD-System:				Tolerance		Scale 1:2		Weight	
								Name and No. of Typ	
08				Date	Name	Title LWC ceiling accessories			
07			Draw	07.06.2010	jhe				
06			Checked	XX.XX.XX	XXXXXX				
05			Stand	XX.XX.XX	XXXXXX				
04						 interior outfitting insulation			
03									
02									
01						Drawing No.			
Rev.No.	Revision	Date	Name			Repl. for		Repl. by	