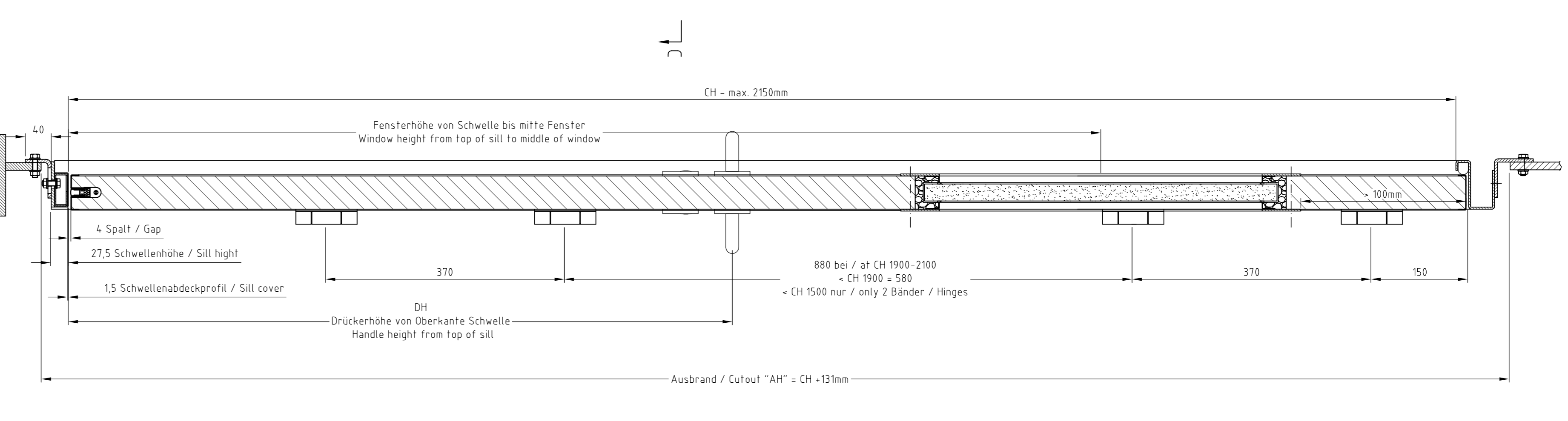
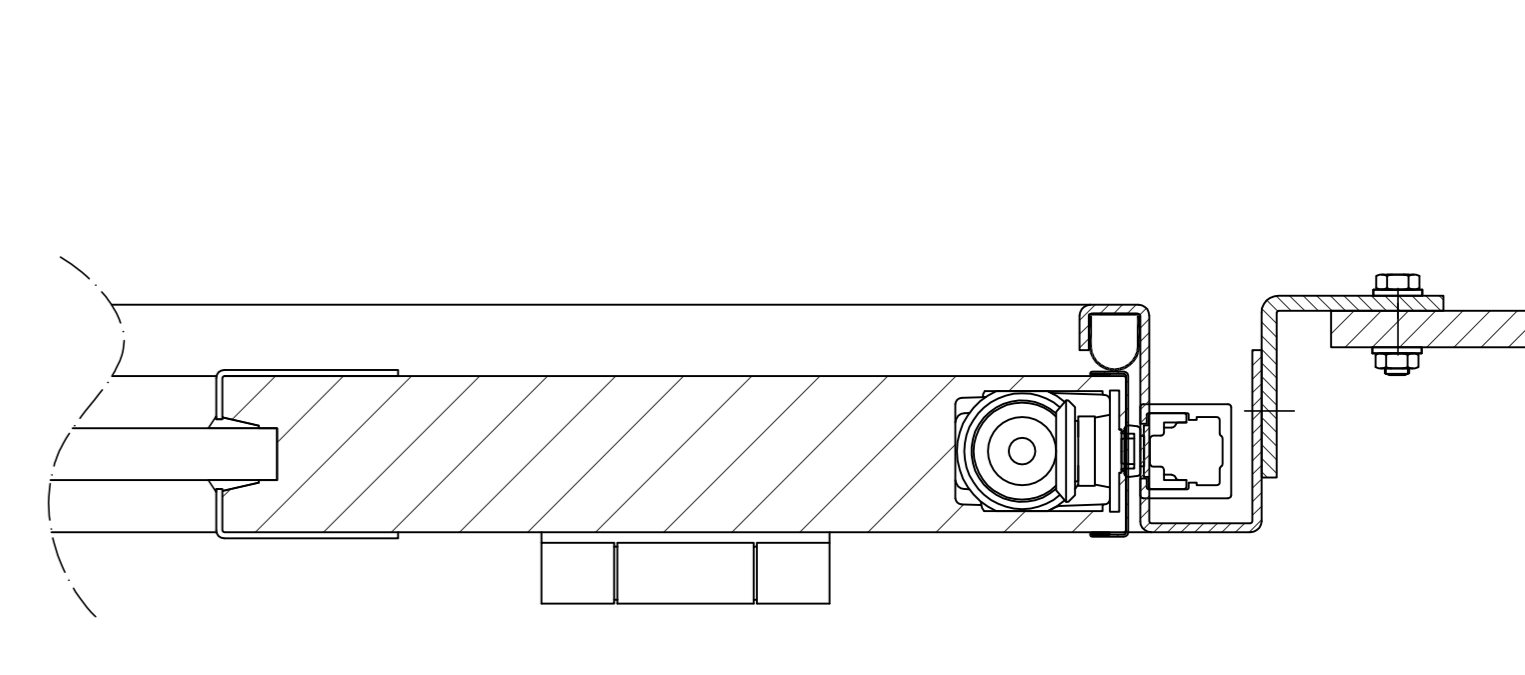


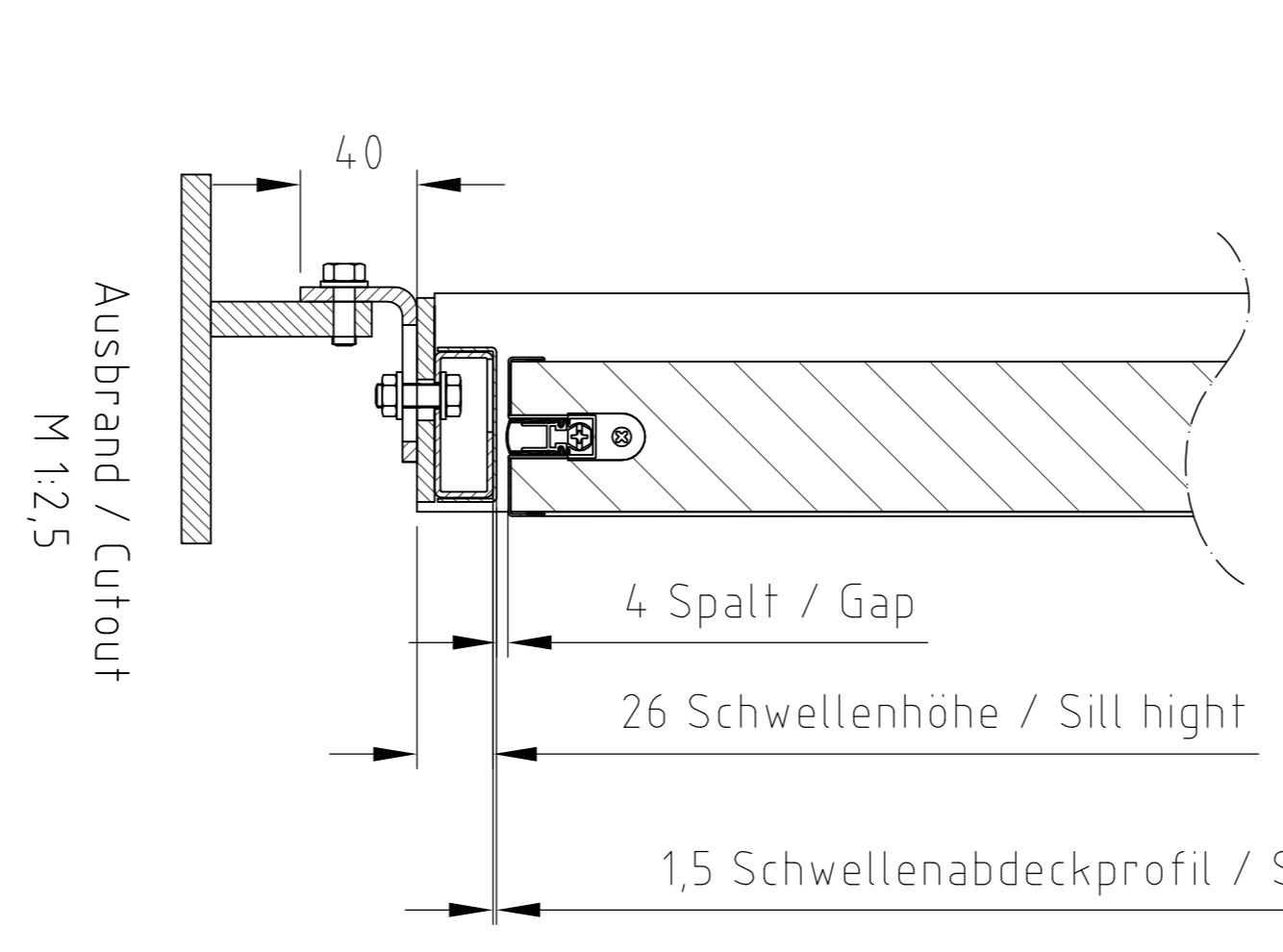
Schnitt / Section B-B Schwellentyp "A" / Sill type "A"



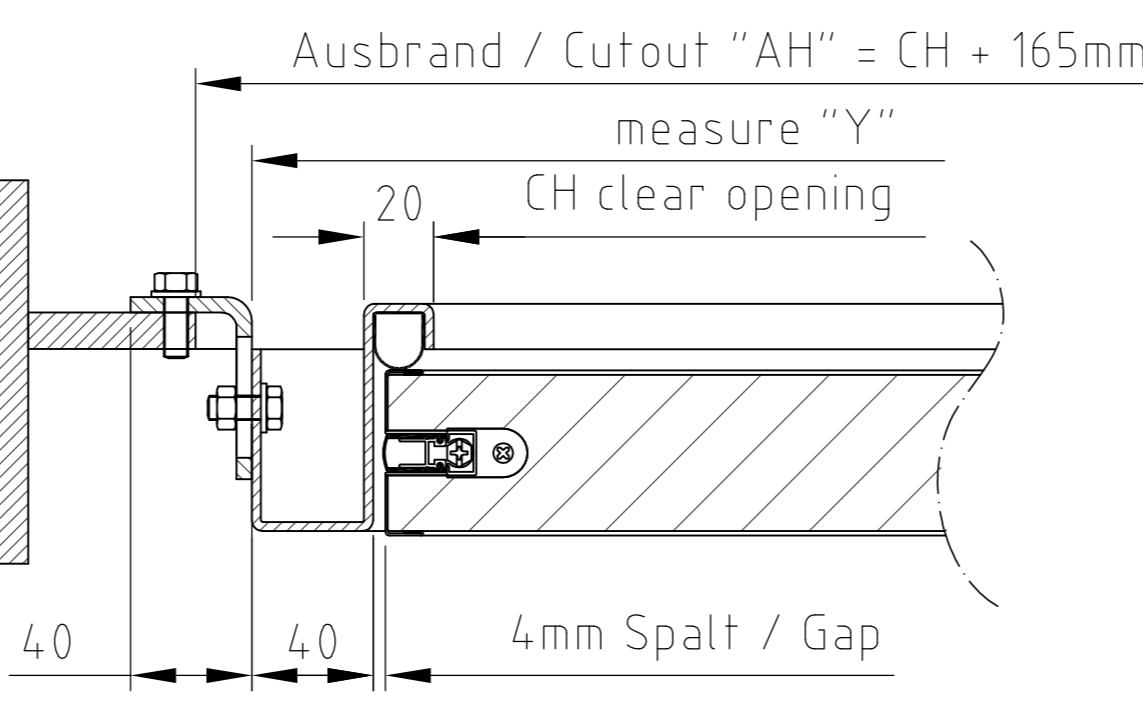
Schnitt A-A / Section A-A M 1:2,5



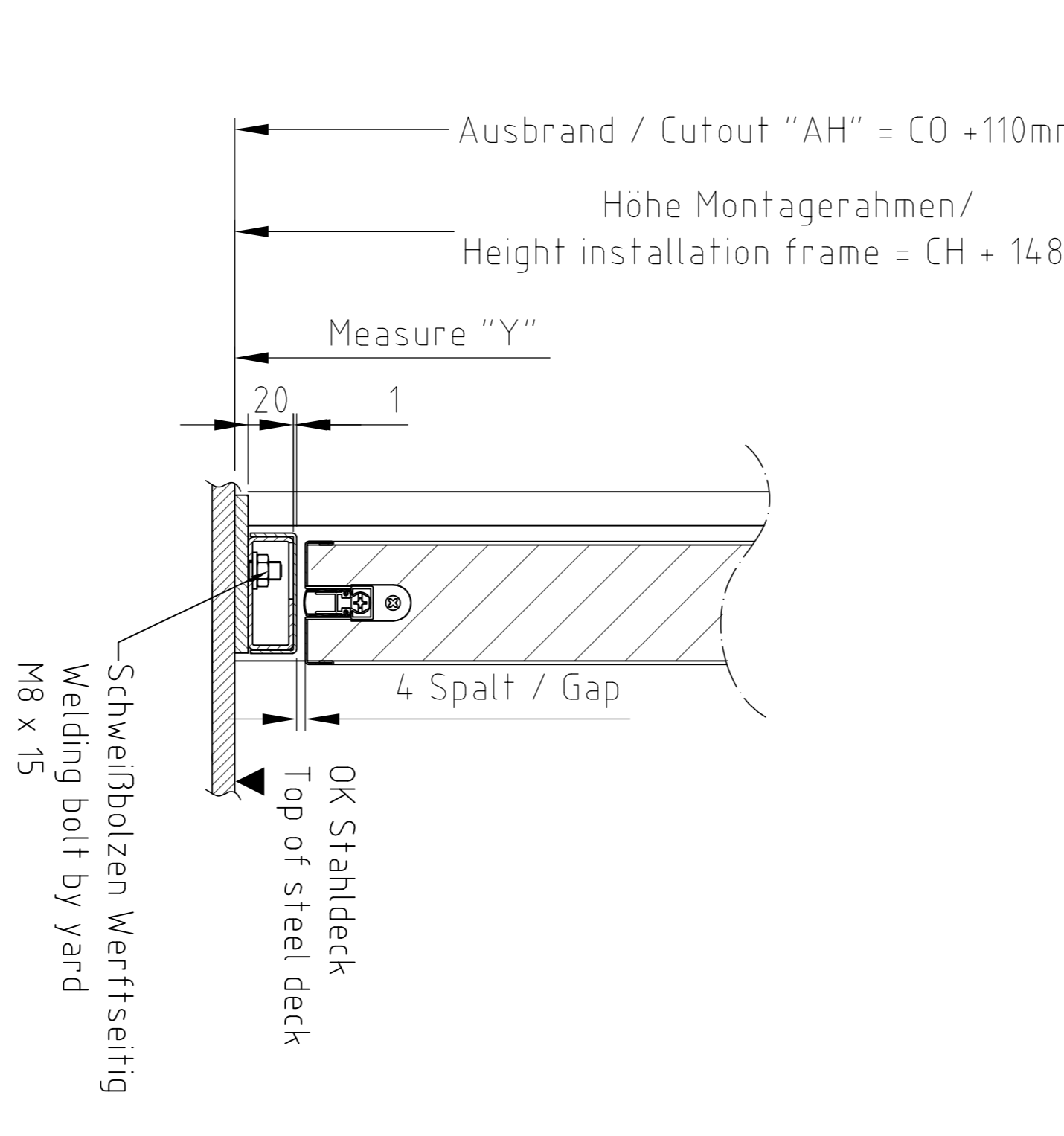
Schwellentyp "A" Sill type "A" M 1:2,5



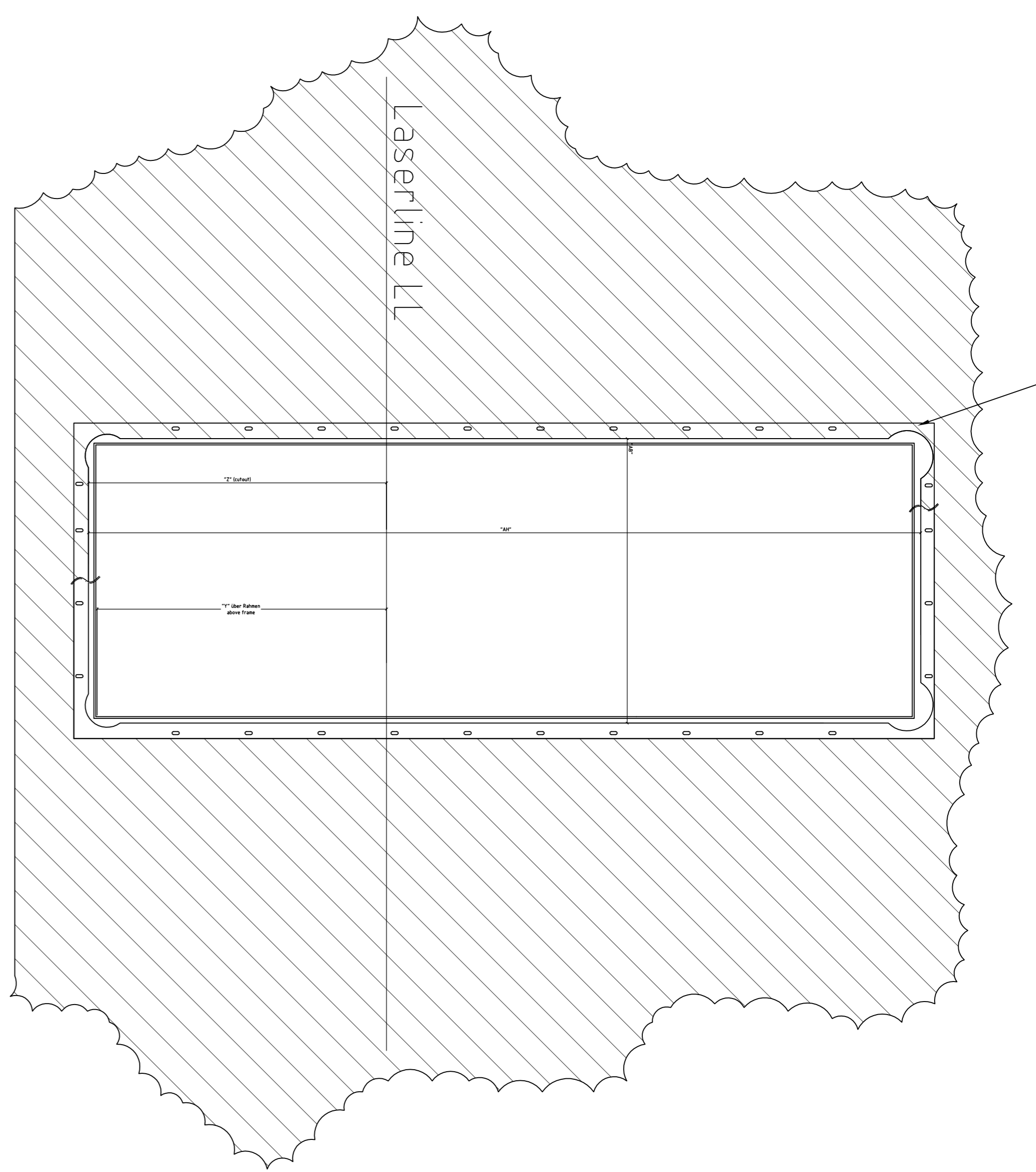
Schwellentyp "B" Sill type "B" M 1:2,5



Schwellentyp "C" Sill type "C" M 1:2,5



Rissfänger, Radius gem. Werftvorgabe Crack arrester, radius according to yard demand



Alle Maße und Materialien in Anlehnung an die Feuerfest Zeichnungen:
 All dimensions and materials according to Fire Test Drawings
 FT-LL-DL1-A60-0610-01-09
 Urheberrechtsschutz gemäß DIN ISO 8606 / Copyright according to DIN ISO 8606

Objekt	Zeichnung	Blatt	Blattgröße	Blattformat	Blatttitel
FT-LL-DL1-A60-0610-01-09	FT-LL-DL1-A60-0610-01-09	1	A4	210 x 297	FT-LL-DL1-A60-0610-01-09
FT-LL-DL1-A60-0610-01-09	FT-LL-DL1-A60-0610-01-09	2	A4	210 x 297	FT-LL-DL1-A60-0610-01-09
FT-LL-DL1-A60-0610-01-09	FT-LL-DL1-A60-0610-01-09	3	A4	210 x 297	FT-LL-DL1-A60-0610-01-09
FT-LL-DL1-A60-0610-01-09	FT-LL-DL1-A60-0610-01-09	4	A4	210 x 297	FT-LL-DL1-A60-0610-01-09
FT-LL-DL1-A60-0610-01-09	FT-LL-DL1-A60-0610-01-09	5	A4	210 x 297	FT-LL-DL1-A60-0610-01-09
FT-LL-DL1-A60-0610-01-09	FT-LL-DL1-A60-0610-01-09	6	A4	210 x 297	FT-LL-DL1-A60-0610-01-09
FT-LL-DL1-A60-0610-01-09	FT-LL-DL1-A60-0610-01-09	7	A4	210 x 297	FT-LL-DL1-A60-0610-01-09
FT-LL-DL1-A60-0610-01-09	FT-LL-DL1-A60-0610-01-09	8	A4	210 x 297	FT-LL-DL1-A60-0610-01-09
FT-LL-DL1-A60-0610-01-09	FT-LL-DL1-A60-0610-01-09	9	A4	210 x 297	FT-LL-DL1-A60-0610-01-09
FT-LL-DL1-A60-0610-01-09	FT-LL-DL1-A60-0610-01-09	10	A4	210 x 297	FT-LL-DL1-A60-0610-01-09
FT-LL-DL1-A60-0610-01-09	FT-LL-DL1-A60-0610-01-09	11	A4	210 x 297	FT-LL-DL1-A60-0610-01-09
FT-LL-DL1-A60-0610-01-09	FT-LL-DL1-A60-0610-01-09	12	A4	210 x 297	FT-LL-DL1-A60-0610-01-09
FT-LL-DL1-A60-0610-01-09	FT-LL-DL1-A60-0610-01-09	13	A4	210 x 297	FT-LL-DL1-A60-0610-01-09
FT-LL-DL1-A60-0610-01-09	FT-LL-DL1-A60-0610-01-09	14	A4	210 x 297	FT-LL-DL1-A60-0610-01-09
FT-LL-DL1-A60-0610-01-09	FT-LL-DL1-A60-0610-01-09	15	A4	210 x 297	FT-LL-DL1-A60-0610-01-09
FT-LL-DL1-A60-0610-01-09	FT-LL-DL1-A60-0610-01-09	16	A4	210 x 297	FT-LL-DL1-A60-0610-01-09
FT-LL-DL1-A60-0610-01-09	FT-LL-DL1-A60-0610-01-09	17	A4	210 x 297	FT-LL-DL1-A60-0610-01-09
FT-LL-DL1-A60-0610-01-09	FT-LL-DL1-A60-0610-01-09	18	A4	210 x 297	FT-LL-DL1-A60-0610-01-09
FT-LL-DL1-A60-0610-01-09	FT-LL-DL1-A60-0610-01-09	19	A4	210 x 297	FT-LL-DL1-A60-0610-01-09
FT-LL-DL1-A60-0610-01-09	FT-LL-DL1-A60-0610-01-09	20	A4	210 x 297	FT-LL-DL1-A60-0610-01-09
FT-LL-DL1-A60-0610-01-09	FT-LL-DL1-A60-0610-01-09	21	A4	210 x 297	FT-LL-DL1-A60-0610-01-09
FT-LL-DL1-A60-0610-01-09	FT-LL-DL1-A60-0610-01-09	22	A4	210 x 297	FT-LL-DL1-A60-0610-01-09
FT-LL-DL1-A60-0610-01-09	FT-LL-DL1-A60-0610-01-09	23	A4	210 x 297	FT-LL-DL1-A60-0610-01-09
FT-LL-DL1-A60-0610-01-09	FT-LL-DL1-A60-0610-01-09	24	A4	210 x 297	FT-LL-DL1-A60-0610-01-09